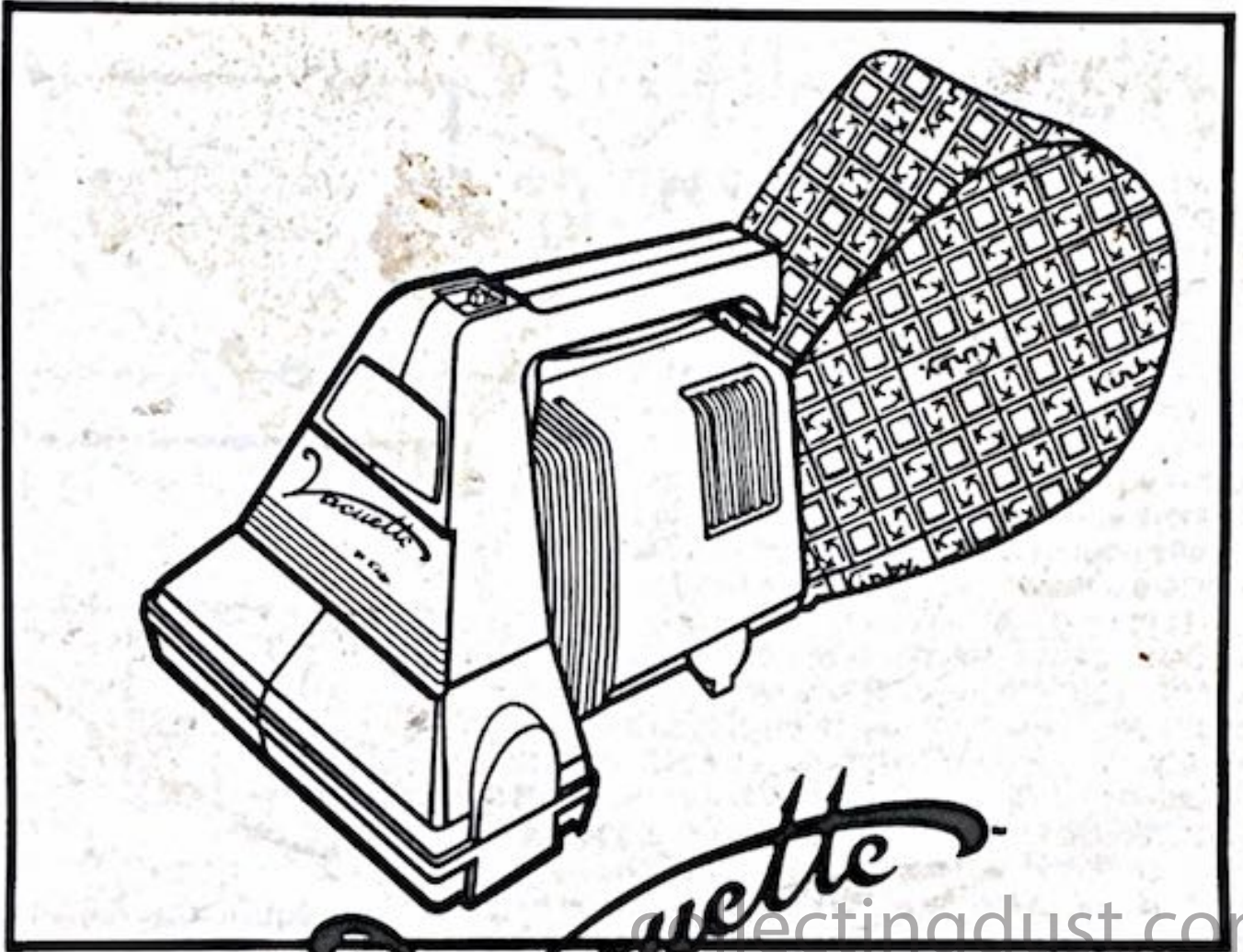


Kirby®



Vacuette

BY Kirby

CORDED HAND VAC

OWNER'S MANUAL

Congratulations on your purchase of the Kirby VACUETTE rotary brush hand vac. Please remember to read the owner's manual before using this product.

FOR HOUSEHOLD USE ONLY

MODEL NO. 465088

PN63576J




IMPORTANT SAFETY INFORMATION

First and foremost, when using an electrical appliance, basic precautions should always be followed, including the following:

Read all instructions before using this hand held brush vac with cord.

WARNING: To reduce the risk of fire, electric shock, or injury to persons—

1. Do not leave appliance when plugged in. Unplug from outlet when not in use and before servicing.
2. Electric shock could occur if used outdoors or on wet surfaces.
3. Do not allow to be used as a toy. Close attention is necessary when used by or near children.
4. Use only as described in this manual. Use only manufacturer's recommended attachments.
5. Do not use with damaged cord or plug. If appliance is not working as it should, has been dropped, damaged, left outdoors, or dropped into water, return it to a service center.

- 
6. Do not pull or carry by cord, use cord as a handle, close a door on cord, or pull cord around sharp edges or corners. Do not run appliance over cord. Keep cord away from heated surfaces.
 7. Do not unplug by pulling on cord. To unplug, grasp the plug, not the cord.
 8. Do not handle plug or appliance with wet hands.
 9. Do not put any object into openings. Do not use with any opening blocked; keep free of dust, lint, hair, and anything that may reduce air flow.
 10. Keep hair, loose clothing, fingers, and all parts of body away from openings and moving parts.
 11. Do not pick up anything that is burning or smoking, such as cigarettes, matches, or hot ashes.
 12. Do not use without dustbag and/or filters in place.
 13. Turn off all controls before unplugging.
 14. Use extra care when cleaning on stairs.
 15. Do not use to pick up flammable or combustible liquids such as gasoline or use in areas where they may be present.

SAVE THESE INSTRUCTIONS



OPERATING INSTRUCTIONS

1. Plug unit into a 110-120V AC electrical outlet.
2. Push power switch forward to turn on. Pull switch back to turn unit off.
CAUTION: NOZZLE HAS A ROTATING BRUSH. CARE SHOULD BE TAKEN TO KEEP UNIT AWAY FROM CHILDREN AND TO KEEP NOZZLE AWAY FROM HAIR, HANDS, FEET, AND LOOSE CLOTHING.

EDGE CLEANING

Nozzle is designed to provide edge cleaning near baseboards and furniture. Run either side of nozzle near baseboards. (Fig. A)



(Fig. A)

MAINTENANCE

CAUTION: ALWAYS UNPLUG POWER CORD FROM ELECTRICAL OUTLET BEFORE PERFORMING MAINTENANCE.
Proper care and use of this cleaner will assure effective performance. Familiarize yourself with maintenance procedures and keep this manual for future reference.

LUBRICATION IS NOT NEEDED

The motor and rotary brush bearing are self-lubricating. Addition of lubricant could cause damage.

IMPORTANT SAFETY INFORMATION

First and foremost, when using an electrical appliance, basic precautions should always be followed, including the following:

Read all instructions before using this hand held brush vac with cord.

WARNING: To reduce the risk of fire, electric shock, or injury to persons—

1. Do not leave appliance when plugged in. Unplug from outlet when not in use and before servicing.
2. Electric shock could occur if used outdoors or on wet surfaces.
3. Do not allow to be used as a toy. Close attention is necessary when used by or near children.
4. Use only as described in this manual. Use only manufacturer's recommended attachments.
5. Do not use with damaged cord or plug. If appliance is not working as it should, has been dropped, damaged, left outdoors, or dropped into water, return it to a service center.

6. Do not pull or carry by cord, use cord as a handle, close a door on cord, or pull cord around sharp edges or corners. Do not run appliance over cord. Keep cord away from heated surfaces.
7. Do not unplug by pulling on cord. To unplug, grasp the plug, not the cord.
8. Do not handle plug or appliance with wet hands.
9. Do not put any object into openings. Do not use with any opening blocked; keep free of dust, lint, hair, and anything that may reduce air flow.
10. Keep hair, loose clothing, fingers, and all parts of body away from openings and moving parts.
11. Do not pick up anything that is burning or smoking, such as cigarettes, matches, or hot ashes.
12. Do not use without dustbag and/or filters in place.
13. Turn off all controls before unplugging.
14. Use extra care when cleaning on stairs.
15. Do not use to pick up flammable or combustible liquids such as gasoline or use in areas where they may be present.

SAVE THESE INSTRUCTIONS

OPERATING INSTRUCTIONS

1. Plug unit into a 110-120V AC electrical outlet.
2. Push power switch forward to turn on. Pull switch back to turn unit off.
CAUTION: NOZZLE HAS A ROTATING BRUSH. CARE SHOULD BE TAKEN TO KEEP UNIT AWAY FROM CHILDREN AND TO KEEP NOZZLE AWAY FROM HAIR, HANDS, FEET, AND LOOSE CLOTHING.

EDGE CLEANING

Nozzle is designed to provide edge cleaning near baseboards and furniture. Run either side of nozzle near baseboards. (Fig. A)



(Fig. A.)

MAINTENANCE

CAUTION: ALWAYS UNPLUG POWER CORD FROM ELECTRICAL OUTLET BEFORE PERFORMING MAINTENANCE.
Proper care and use of this cleaner will assure effective performance. Familiarize yourself with maintenance procedures and keep this manual for future reference.

LUBRICATION IS NOT NEEDED

The motor and rotary brush bearing are self-lubricating. Addition of lubricant could cause damage.

DUST BAG

CAUTION: ALWAYS UNPLUG THE POWER CORD FROM THE ELECTRICAL OUTLET BEFORE PERFORMING MAINTENANCE.

To empty dust bag, hold vac with bag down and shake (allowing dirt to collect in bag). Grasp gathered edge of bag and pull out of groove. Shake bag into waste container. Turn bag inside out and tap against waste container wall to release small dust particles from bag liner. Wash bag by hand in mild detergent and warm water. Dry bag completely before reattaching. To attach, place unit with front plate face down on work surface. Hold bag with opening towards you. Identify bottom of bag. Place bottom opening of bag into bottom groove at rear of hand vac. Stretch (Fig. B) top bag corners into groove, one at a time. Minimize leakage by evenly spreading gathered edge around groove.



(Fig. B.)



(Fig. C.)

CLEANING ROTATING BRUSH

CAUTION: ALWAYS UNPLUG POWER CORD FROM ELECTRICAL OUTLET BEFORE PERFORMING MAINTENANCE.

CAUTION: BELT WILL COME OFF DRIVE SHAFT IF THE BRUSH IS ROTATED IN THE WRONG DIRECTION BY HAND.

If you need to rotate the brush to remove debris, unplug the unit, then rotate the brush towards the dust bag. (Fig. C) The directional arrows are engraved on the actual brush roller assembly.



BELT REPLACEMENT

CAUTION: ALWAYS UNPLUG POWER CORD FROM ELECTRICAL OUTLET BEFORE PERFORMING MAINTENANCE.

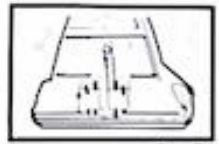
Replace belt by removing belt removal screw and lift off front plate. Remove glide plate by turning vac upside down so brush roller assembly is visible. Pull glide plate out by placing fingers or thumbs under ends of plate and pulling up and out.

Before removing brush roller assembly, move belt out of operating position by rotating brush roller assembly in opposite direction, shown by engraved arrows. Remove brush roller assembly by pulling assembly straight out of unit. Place new belt over brush roller and position into brush roller's center groove (Fig. D). Place brush roller assembly back into rotary hand vac. Brush roller will fit into vac one way only. Fig. D shows correct position for replacing assembly into housing. Use a screwdriver to pull belt up and over belt shaft (Fig. E). Figure E is also engraved on reverse side of front plate. Replace front plate and tighten belt removal screw.

Replace glide plate, turn vac upside down with cord pointing toward you—making brush roller visible. Place long edge of glide plate into groove, located toward rear of housing. While pushing down with index fingers on front corners of glide plate, pull up slightly with thumbs under area engraved "pull up", (as shown in fig. F) until plate snaps into unit.



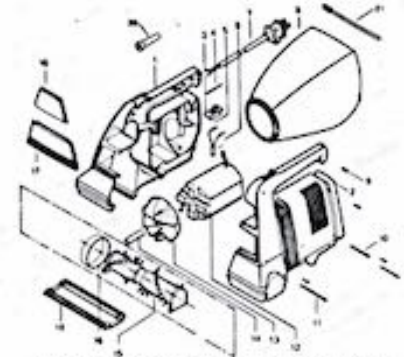
(Fig. D.)



(Fig. E.)



(Fig. F.)



REPLACEMENT PARTS LIST

910690 Right & Left Housing Assy	11 63571 Screw Long
1 80353 Housing Right	12 63551 Motor
2 63566F Housing Left	13 63550A Impeller
3 63568A Switch	14 63566 Shaft Belt
4 62994V Wire Lead	91073 Brush Roller Belt Assy
5 91070 Bulb Sleeve Kit	15 63199 Brush Roller Assy
6 63582 Sleeve Bulb	16 63553 Belt
7 63552 Bulb Light	17 80283D Front Plate Assy.
8 61576Q Cord Power	18 63561 Lens
9 63573D Bag Dust	19 63579 Plate Glide
10 63570 Screw Short (4)	20 63586A Bushing, Strain Relief
11 63572 Screw Motor (3)	21 63697 Cord Tie
	63576J Folder Care & Use

FULL ONE (1) YEAR WARRANTY

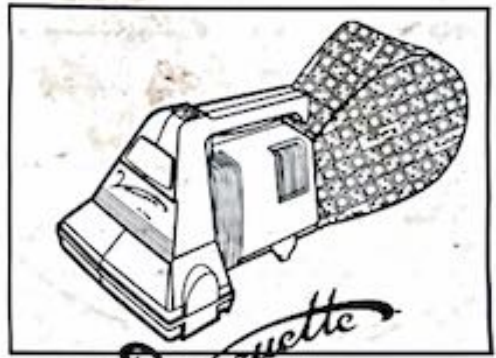
Your Kirby appliance is warranted for one year from date of purchase, by original purchaser, against defects in material and workmanship. Within one year of purchase, should your product fail, return it to your place of purchase for replacement. If you do not receive satisfaction from the dealer, you may return the unit directly to Kirby, 4750 W. 160th St., Cleveland, Ohio 44135, for repair or, at the sole option of Kirby, replacement. This warranty does not apply to belts, brushes, disposable dust bags or service calls. All merchandise returned to Kirby must include a dated sales receipt and must be returned prepaid to Kirby in a reshippable carton.

THERE IS NO OTHER EXPRESS WARRANTY. IMPLIED WARRANTIES, INCLUDING THOSE OF MERCHANTABILITY AND FITNESS FOR A PARTICULAR PURPOSE, ARE LIMITED TO ONE YEAR FROM THE DATE OF PURCHASE. SOME STATES MAY NOT ALLOW THE LIMITATION OR EXCLUSION OF INCIDENTAL OR CONSEQUENTIAL DAMAGES, SO THE ABOVE LIMITATIONS OR EXCLUSIONS MAY NOT APPLY TO YOU. THIS WARRANTY GIVES YOU SPECIFIC LEGAL RIGHTS, AND YOU MAY ALSO HAVE OTHER RIGHTS WHICH VARY FROM STATE TO STATE. THIS IS THE EXCLUSIVE REMEDY, AND LIABILITY FOR INCIDENTAL AND CONSEQUENTIAL DAMAGES UNDER ANY AND ALL WARRANTIES IS EXCLUDED.

ADDITIONAL AND/OR REPLACEMENT PARTS ARE AVAILABLE FOR ORDERING INFORMATION, OR IF YOUR CLEANER SHOULD REQUIRE SERVICE, CALL AREA CODE (501) 686-6774 FOR REPAIR SHIP YOUR BRUSH VAC PREPAID TO: DOUGLAS PRODUCTS, AIRPORT INDUSTRIAL PARK, WALNUT RIDGE, AR 72476, ATTN: PARTS AND SERVICE DEPARTMENT.



4750 W. 160TH
CLEVELAND, OH 44135



BY KIRBY
CORDED HAND VAC

OWNER'S MANUAL

Congratulations on your purchase of the Kirby VACUETTE rotary brush hand vac. Please remember to read the owner's manual before using this product.

FOR HOUSEHOLD USE ONLY

MODEL NO. 465088

PN63576J