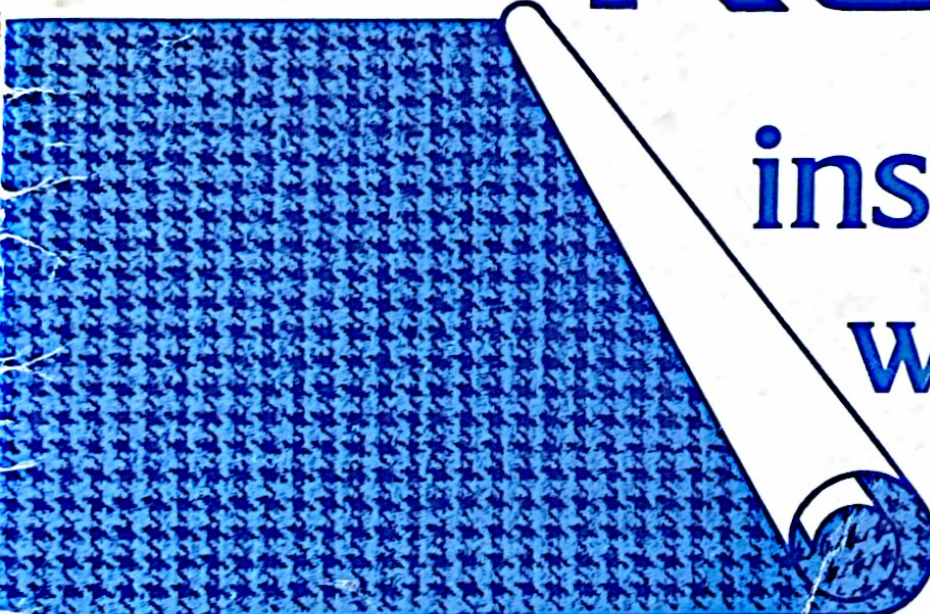
The Kirby logo is rendered in a bold, blue, stylized font. The letters are thick and blocky, with a unique design where the 'i' and 'j' have a dot and a tail that curves back into the letter. A registered trademark symbol (®) is located at the end of the word.

Kirby®

A graphic of a blue, textured book cover is shown on the left side of the page. The cover is partially unrolled, with the top-left corner folded back, revealing a white page underneath. The book is positioned diagonally, pointing towards the bottom right.

instruction and warranty book

IMPORTANT. Your Kirby General Service Insurance and Coverage of Loss by Fire are valid *Only* if your Kirby was purchased from an independent authorized Kirby salesperson. Please refer to Page 52 for additional details.



Cleaning your home should be a pleasure, not a chore. Your Kirby TRADITION is designed to give you the peace of mind that only a clean house can bring, without the hard work that usually goes with it.

By purchasing a Kirby, you have shown that you have not only a keen interest in the appearance of your home, but that you also appreciate the freedom from drudgery that only a modern home cleaning system can bring.

With proper care, your Kirby TRADITION cleaning system will give you many years of trouble-free service. To ensure that you and your TRADITION can work together as long as you own it, the Kirby Company provides a unique rebuild provision. Be sure to

read the warranty section at the end of this booklet for details. You will be amazed and proud at the continued interest the Kirby Company has in you and your TRADITION.

Independent Kirby Distributors, Area Distributors and Dealers may sell the Kirby Tradition system minus one or more of the major components. Sales slip or contract should indicate items purchased.

The information and specifications included in this use and care book were in effect at the time of approval for printing. The Kirby Company reserves the exclusive right, however, to discontinue or change specifications or designs at any time without notice and without incurring any liability whatsoever.

FOR YOUR SAFETY

SECTION 1

WARNING

ELECTRIC SHOCK COULD OCCUR IF USED OUTDOORS OR ON WET SURFACES.

The Kirby TRADITION is listed by Underwriters Laboratories, Inc. as a Double Insulated Domestic product for use on 120 volts 50-60 hertz household power.

WARNING

TO AVOID ELECTRIC SHOCK:

NEVER VACUUM LIQUIDS.

NEVER VACUUM FLOORS, RUGS OR CARPETING THAT ARE WET.

DO NOT STORE OUTDOORS.

REPLACE WORN OR FRAYED POWER CORD IMMEDIATELY.

The following tips have been gathered from many sources and from years of experience. These guidelines, and others found throughout this book, are presented for your protection and convenience. Please read them carefully, since a failure to heed these precautions could result in discomfort or injury.

ALWAYS BE SURE MOTOR AND FAN HAVE COME TO COMPLETE STOP, AND UNPLUG CORD FROM WALL SOCKET BEFORE CHANGING ACCESSORY UNITS OR ATTACHMENTS.

WHEN CLEANER IS RUNNING, NEVER ALLOW FINGERS, HAIR, OR LOOSE CLOTHING TO COME NEAR INTAKE SUCTION PORTS, NOZZLE, OR REVOLVING BRUSHES.

REPLACE ANY PARTS WITH GENUINE KIRBY PARTS IN ORDER TO MAINTAIN SAFETY AND TO PROTECT YOUR WARRANTY.

Never vacuum live ashes or cigar or cigarette butts.

Never run cleaner over power cord, or place sharp objects on cord.

Never let children use or play with cleaner. Use extra caution when cleaning on stairs.

Keep cleaner on floor — not on chairs, tables, etc.

Never leave cleaner running or cord plugged in when unattended.

When disconnecting power cord, grasp plug — not cord.

Never handle cord or plug with wet hands.

Store cleaner, attachments, and accessory units promptly after each use to prevent accidents caused by tripping over power cord or equipment.

Use Kirby attachments and accessory units only in the manner intended and as outlined in this book.

Don't use your Suds-O-Gun attachment with flammable cleaning liquids.

Don't use your spray gun attachment to spray flammable liquids, such as oil-based paints.

Don't use in an enclosed space where flammable, explosive, or toxic materials are stored, or where vapors from such materials may be present.

Don't use cleaner to pick up hard or sharp items, such as coins, pins, nails, etc. They could break the fan and/or fan housing.

Don't close door on cord, or snag it under furniture or doors with sharp edges.

Don't use cleaner, attachments, or accessory units if in poor condition. Have qualified service person inspect, replace, or repair whenever necessary.

Don't use cord to pull cleaner around.

Don't plug cleaner into an incandescent light fixture.

Don't move tables, lamps, etc. while holding onto equipment.

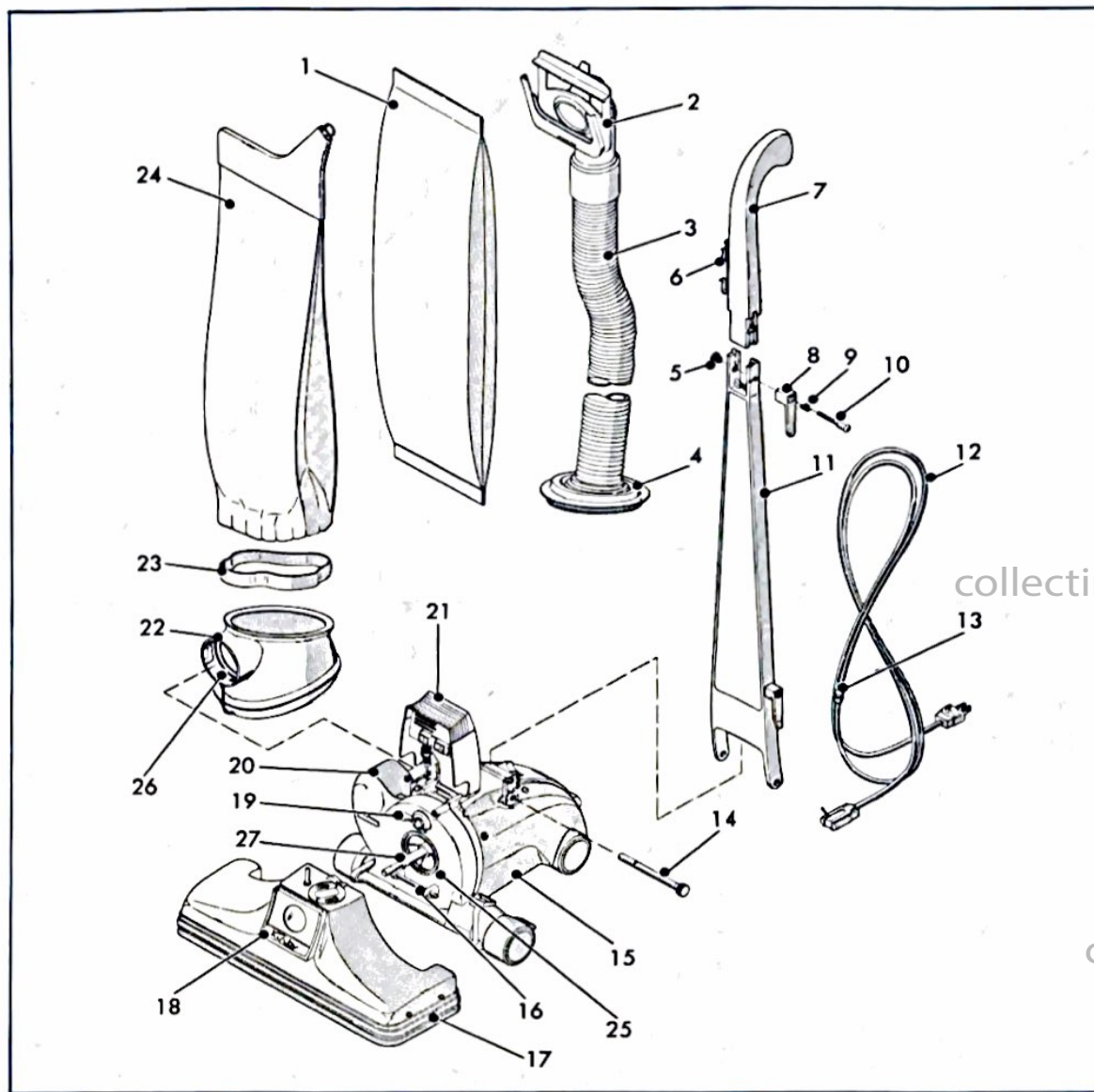
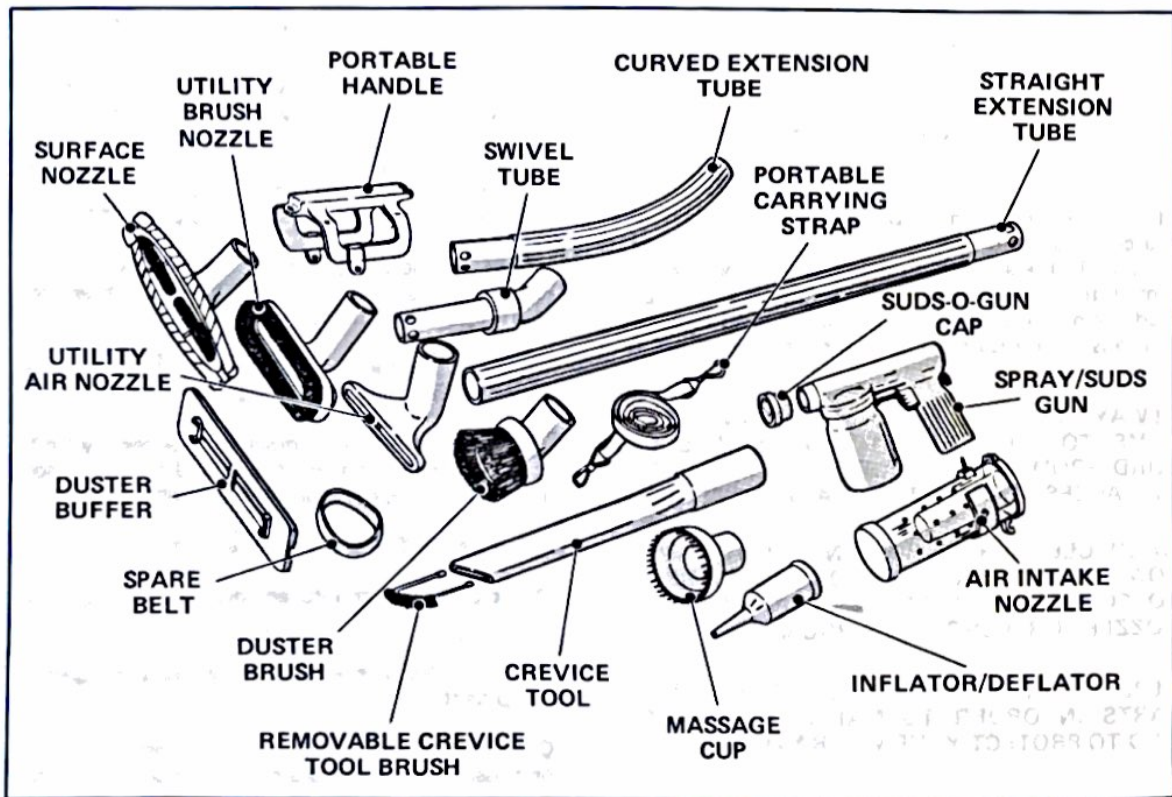
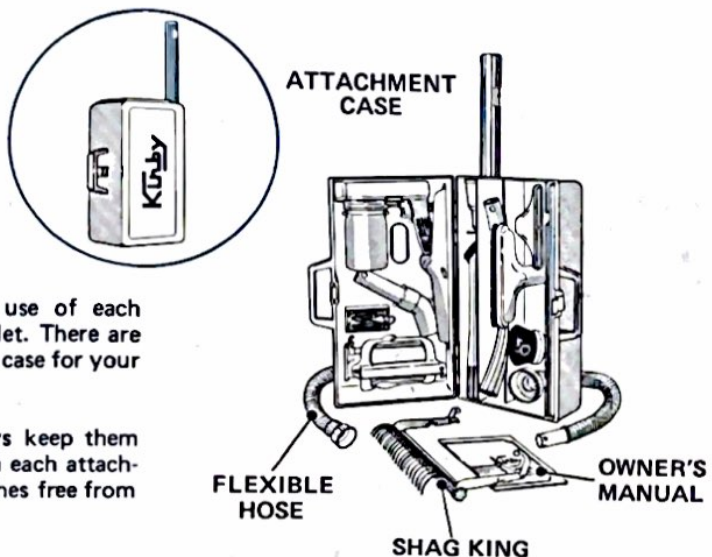
Check seals and gaskets regularly. Worn, damaged, or missing gaskets or seals can be a safety hazard.

Here are all of the standard attachments for your Kirby TRADITION. They are all (except the flexible hose and Shag King) packed in the sturdy attachment case.

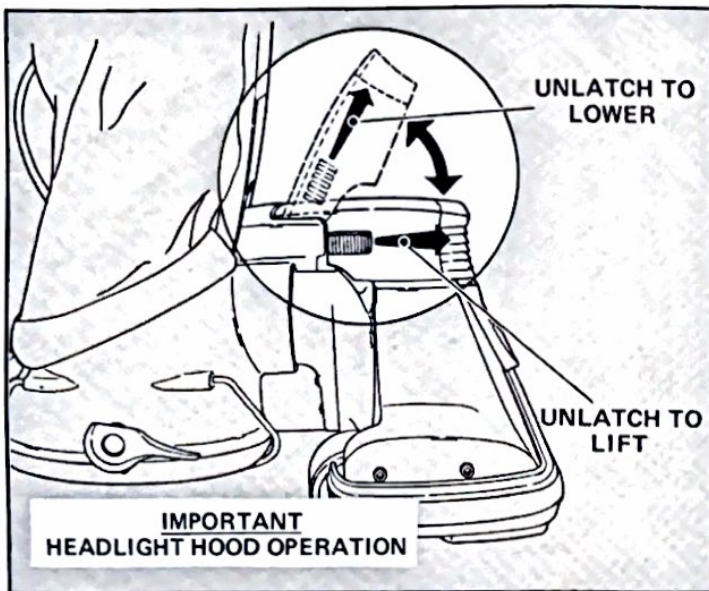
Each attachment is designed for specific household cleaning jobs. The spare belt packed in the case can be used with all TRADITION accessories and attachments which are belt driven.

There are detailed instructions for the use of each attachment in later sections of this booklet. There are also detailed instructions on mounting the case for your convenience.

When attachments are not in use, always keep them stored in the case to avoid damage. Clean each attachment after each cleaning job and keep brushes free from lint and fibers.



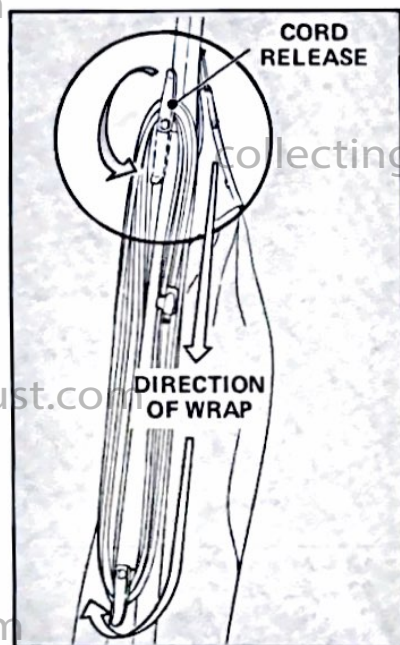
- | | | |
|---------------------------------|----------------------------|----------------------------------|
| 1 - Disposable Bag | 10 - Screw | 19 - Attachment Lock |
| 2 - Disposable Bag Collar Guide | 11 - Upright Handle | 20 - Air Outlet |
| 3 - Top Fill Hose | 12 - Power Cord | 21 - Headlight Hood |
| 4 - Disposable Bag Adapter | 13 - Cord Attaching Groove | 22 - Sani Em-Tor |
| 5 - Nut | 14 - Handle Pin | 23 - Bag Guard |
| 6 - Spring Clip | 15 - Power Plant | 24 - Cloth Filter Bag and Hanger |
| 7 - Handle Grip | 16 - Attaching Bar | 25 - Suction Seal Ring Gasket |
| 8 - Upper Cord Hook | 17 - Rug Nozzle | 26 - Em-Tor Gasket |
| 9 - Spring | 18 - Belt Lifter | 27 - Power Shaft |

**WARNING**

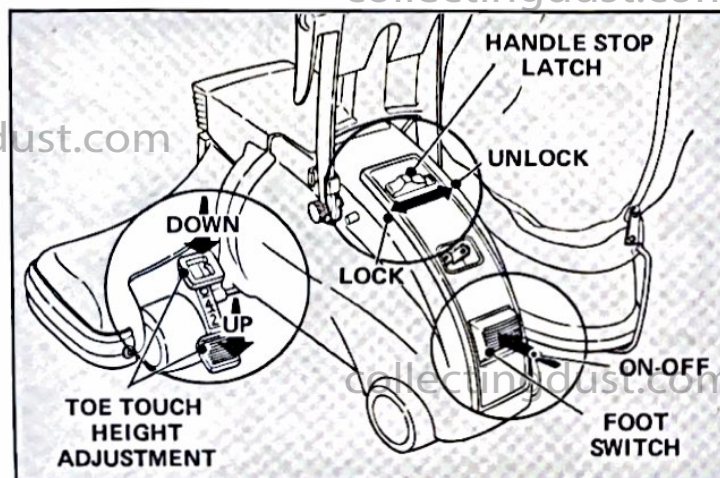
BEFORE PLUGGING THE CORD INTO A WALL OUTLET, BECOME THOROUGHLY FAMILIAR WITH ALL CONTROLS, THEIR LOCATIONS, AND THEIR PROPER USES.

HEADLIGHT HOOD. IMPORTANT – The headlight hood must be down and latched and an accessory or attachment must be mounted on the power plant or the TRADITION cannot be turned on. The hood must be raised while attaching or removing an accessory, attachment, or rug nozzle.

To latch the headlight hood, push down with the palm of the right hand and push the latch button firmly in toward the power plant with your right thumb.



CORD RELEASE. To release the cord, turn down the upper cord hook on the handle. The cord will come off in your hand.



TOE TOUCH HEIGHT ADJUSTMENT. Push with toe to raise and lower the nozzle. **IMPORTANT** – Each touch of the toe will raise or lower the nozzle one step. There are a total of eight steps or positions.

HANDLE STOP LATCH. This control keeps the handle in a horizontal position or allows the operator to tilt the TRADITION.

FOOT SWITCH. Push with toe to start motor. Push again with toe to stop motor.

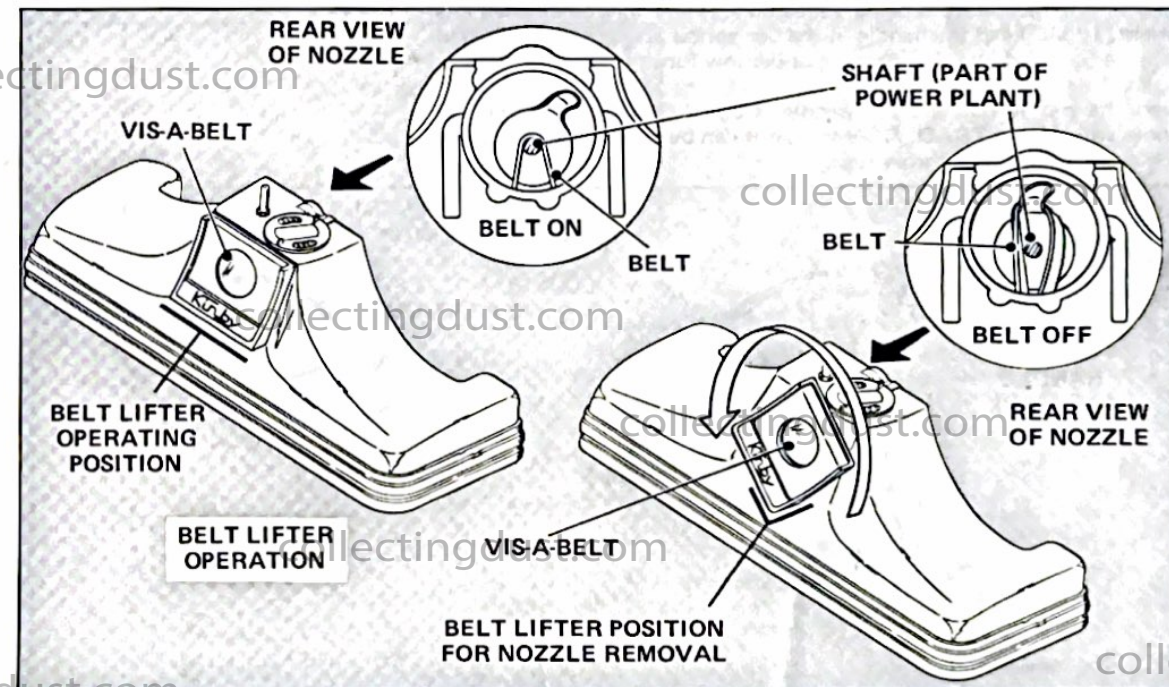
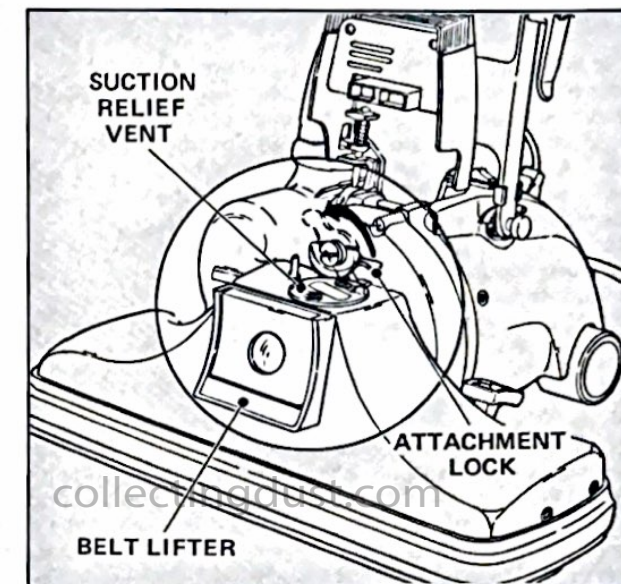
ATTACHMENT LOCK. Used to attach accessories, attachments, or rug nozzle to power plant. Rotate to the left to release attachments. Rotate to the right to mount attachments. **IMPORTANT** – For proper assembly the attachment lock lever must be rotated past the power plant mounting screw (Phillips head) as shown.

SUCTION VENT. IMPORTANT – This control is used to reduce the amount of suction on delicate rugs or fabrics to avoid damaging them. Turn clockwise to reduce suction; turn counterclockwise to increase suction.

BELT LIFTER. The Magic Finger belt lifter is used to lift the belt off the power plant drive shaft while attaching or removing a nozzle or other attachment.

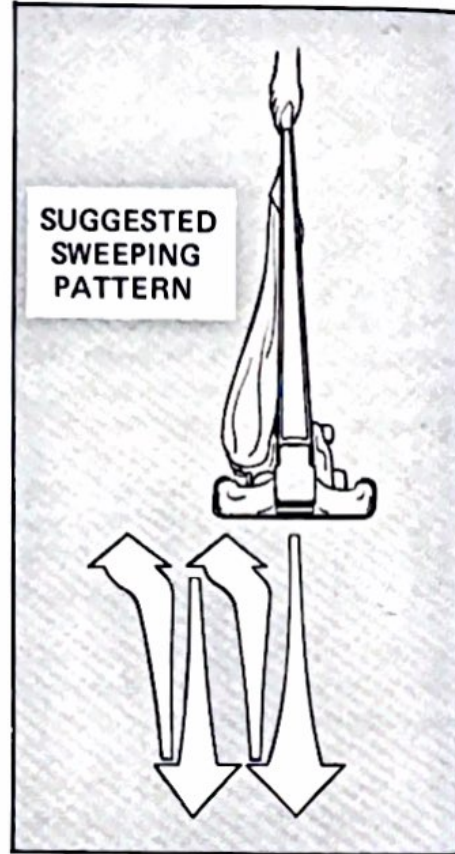
Turn the belt lifter on the nozzle counterclockwise to lift the belt off the shaft. Turn it clockwise to settle the belt back onto the shaft.

When the lifter is turned, the Magic Finger on the inside of the nozzle picks up the belt and lifts it away from the shaft.



EFFICIENT SWEEPING

It is important to have the rug nozzle height set properly to get the most efficient cleaning action. Start out with the toe touch control adjusted to the full up (number 8) position. Then, lower the nozzle one step at a time until you notice a change in the sound of the power plant. This indicates that the nozzle is in contact with the rug and ready to clean. If too much suction causes the rug to be pulled up into the nozzle, open the suction relief vent. If more suction is desired, close the suction relief vent.



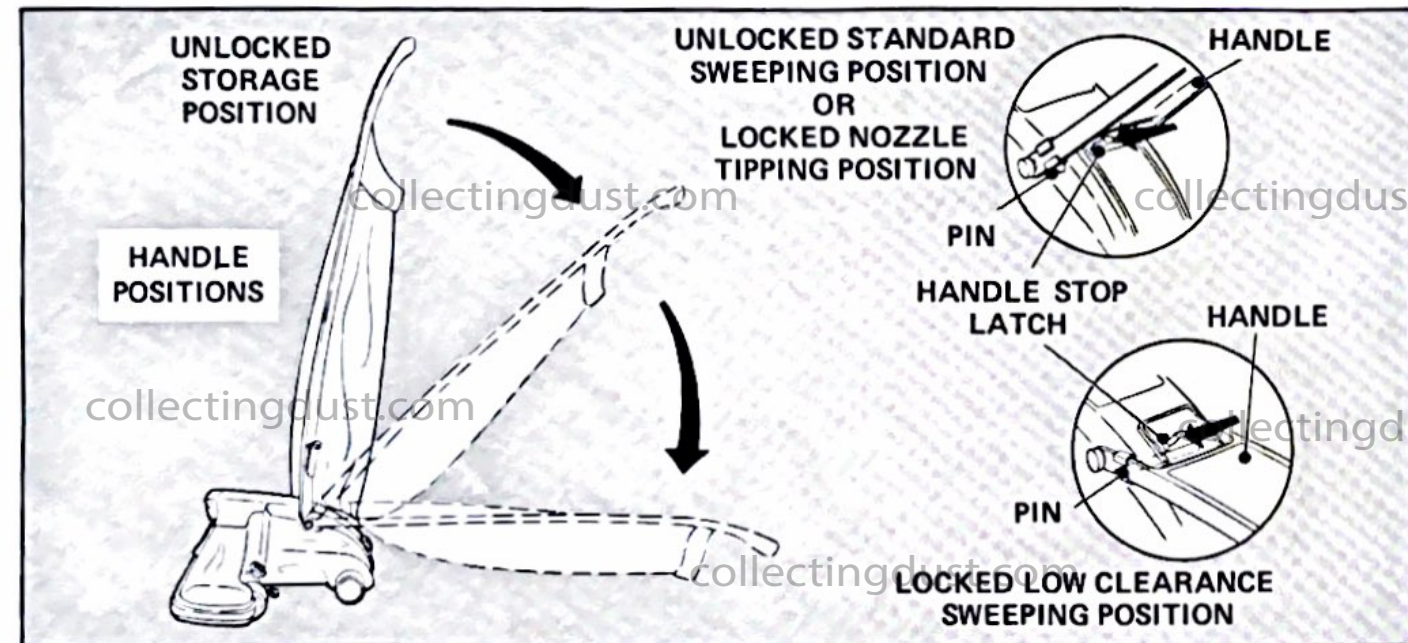
SWEEPING PATTERN

For the best and easiest cleaning action, push the TRADITION straight away from you and pull it straight back. Change the direction of the TRADITION at the end of the pull back and point it in the direction of the next sweeping path. Continue to do this across the entire rug with slow, gliding motions. Do not jerk or tug on the cleaner to change directions.

HANDLE POSITIONS

When the handle stop latch is pushed to the left, a pin extends. This pin will stop the handle from being pulled back to the horizontal when it is upright. It will keep the handle in the horizontal position if it extended with the handle down, for cleaning under low furniture and for storage.

When the pin is out and the handle is upright, pulling back on the handle will tilt the TRADITION so that it can be moved over obstacles such as carpet strips or throw rugs.

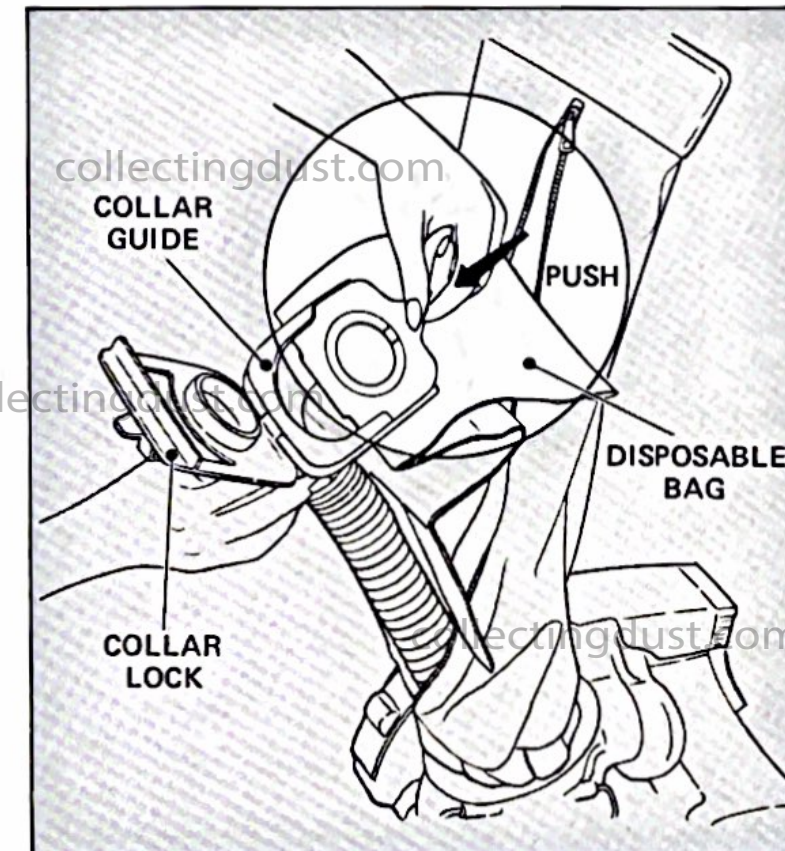
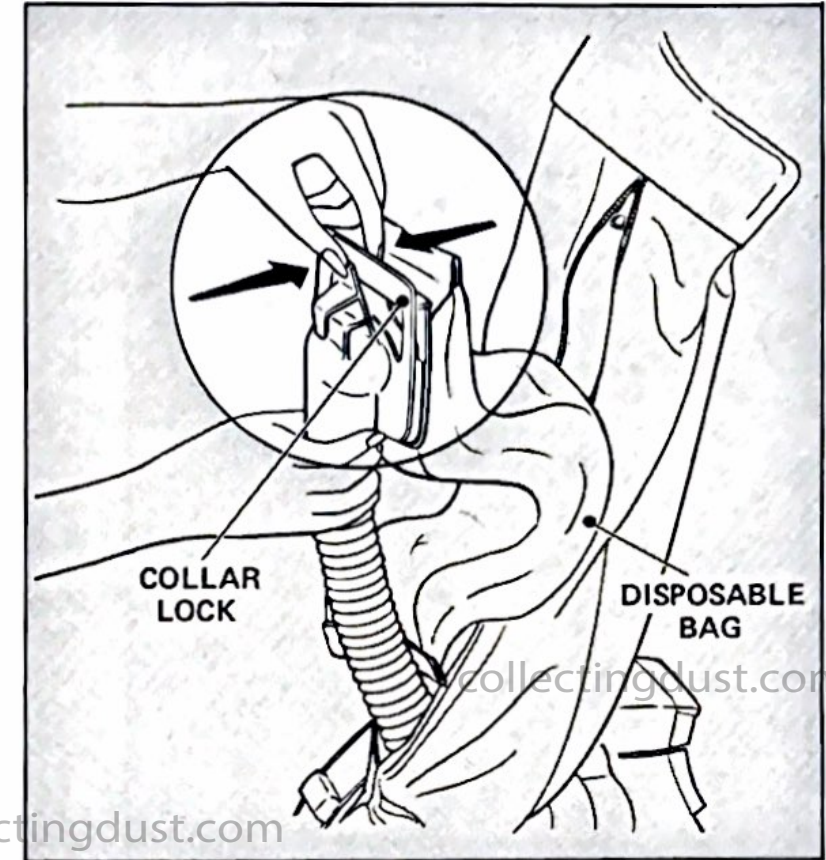


CHANGING THE DISPOSABLE BAG

WARNING

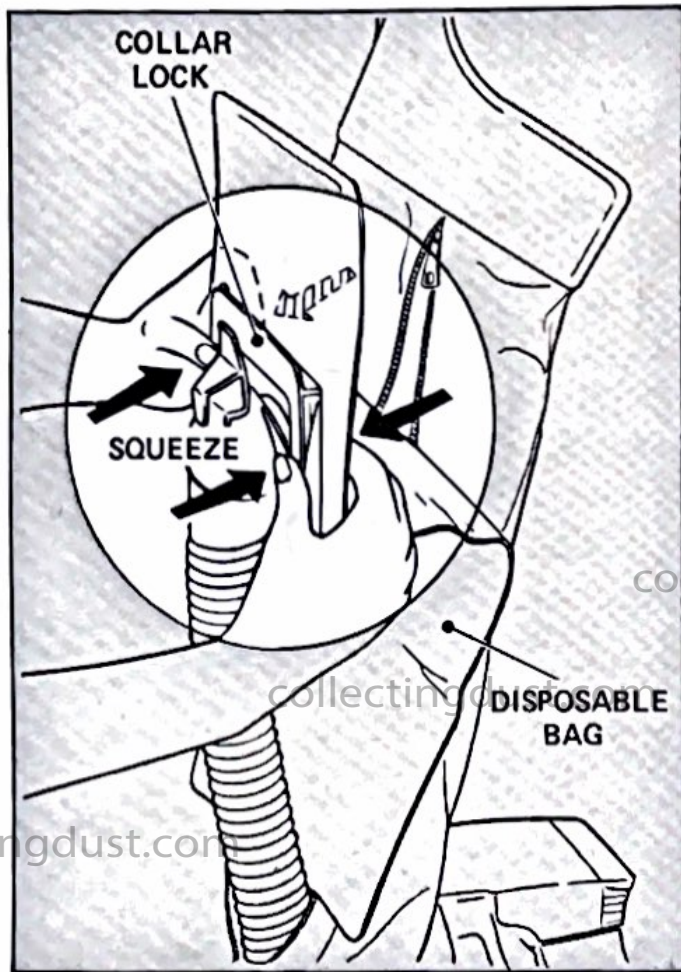
UNPLUG CORD FROM WALL SOCKET BEFORE CHANGING THE DISPOSABLE BAG OR EMPTYING THE CLOTH BAG.

Unzip the cloth bag. Reach in and unhook the disposable bag collar guide from the cloth loop. Pull the collar guide out part way and PRESS to open the collar lock.

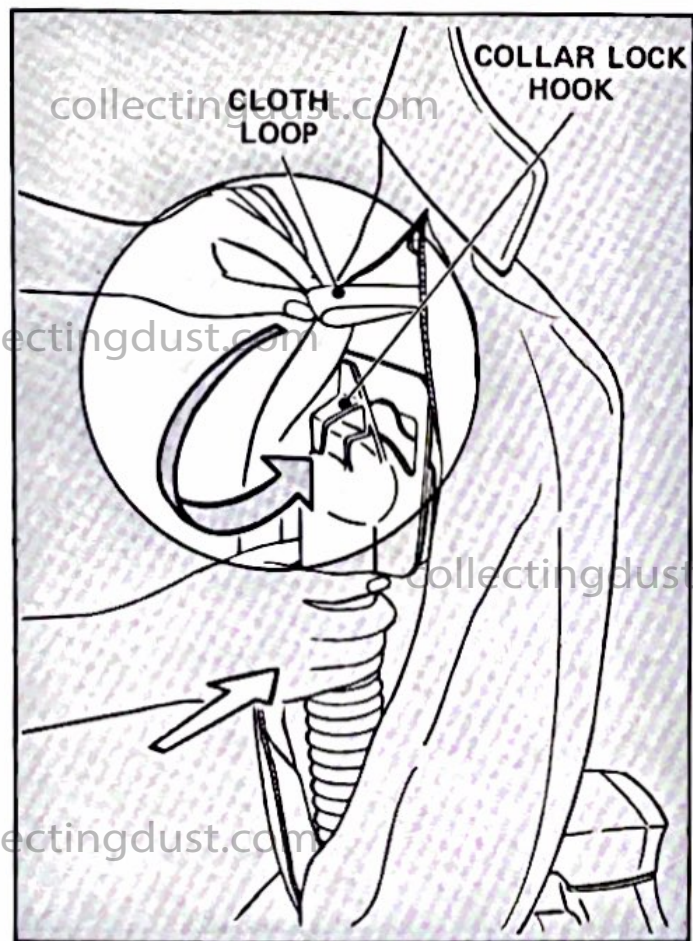


The collar guide will open and the disposable bag collar can be pulled out. Remove the disposable bag from the cloth bag and throw it away.

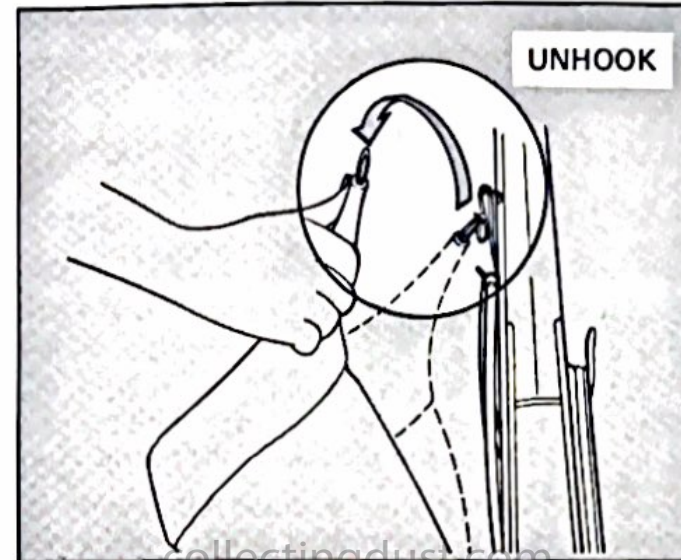
Insert a new disposable bag into the cloth bag with the collar facing out and at the top.



Slide the collar into the collar guide and squeeze the collar lock until it snaps shut.

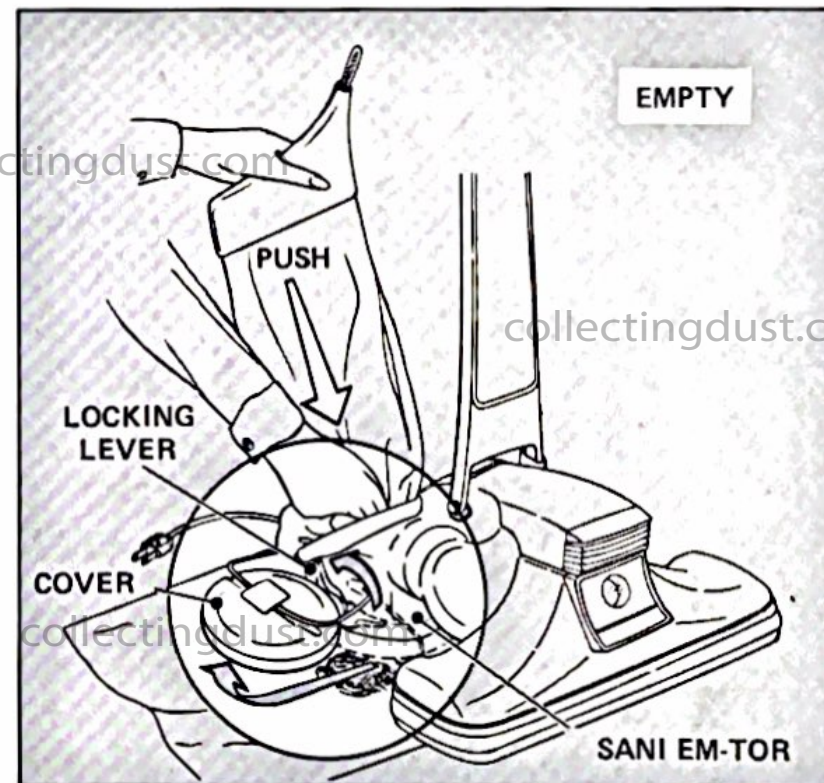
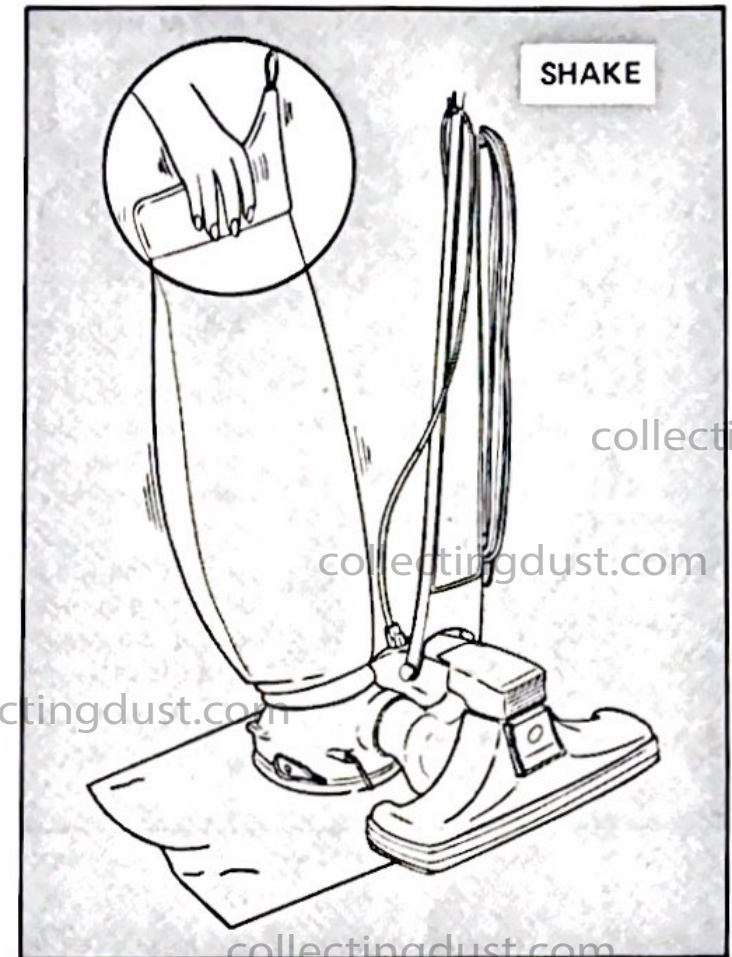


Push the collar guide and the rest of the bag into the cloth bag and hook the collar guide onto the cloth loop. Zip up the cloth bag.



EMPTYING THE CLOTH FILTER BAG

Spread several thicknesses of old newspaper on the floor and roll the TRADITION on to them. Lower handle slightly then unhook the cloth bag from the handle and hold it in your left hand. Start the motor and leave it on just long enough for the cloth bag to fill with air. Before the bag deflates, shake it vigorously to settle dust to the bottom. Wait a few seconds for the motor and fan to come to a complete stop, then unplug the power cord from the wall outlet. Pull up on the Sani Em-Tor cover locking lever and



swing the Sani Em-Tor cover open. The dust and dirt will fall onto the newspaper. If carpet lint is caught in the cloth bag, push it out the bottom by pushing the lint and bag into the top of the Sani Em-Tor as shown in the picture.

When the cloth bag is empty, rehook the bag to the handle, swing the Sani Em-Tor cover closed, and rotate the cover locking lever all the way down to the right. Make sure the cover is seated properly before turning the cleaner on.

ATTACHING THE SHAG KING

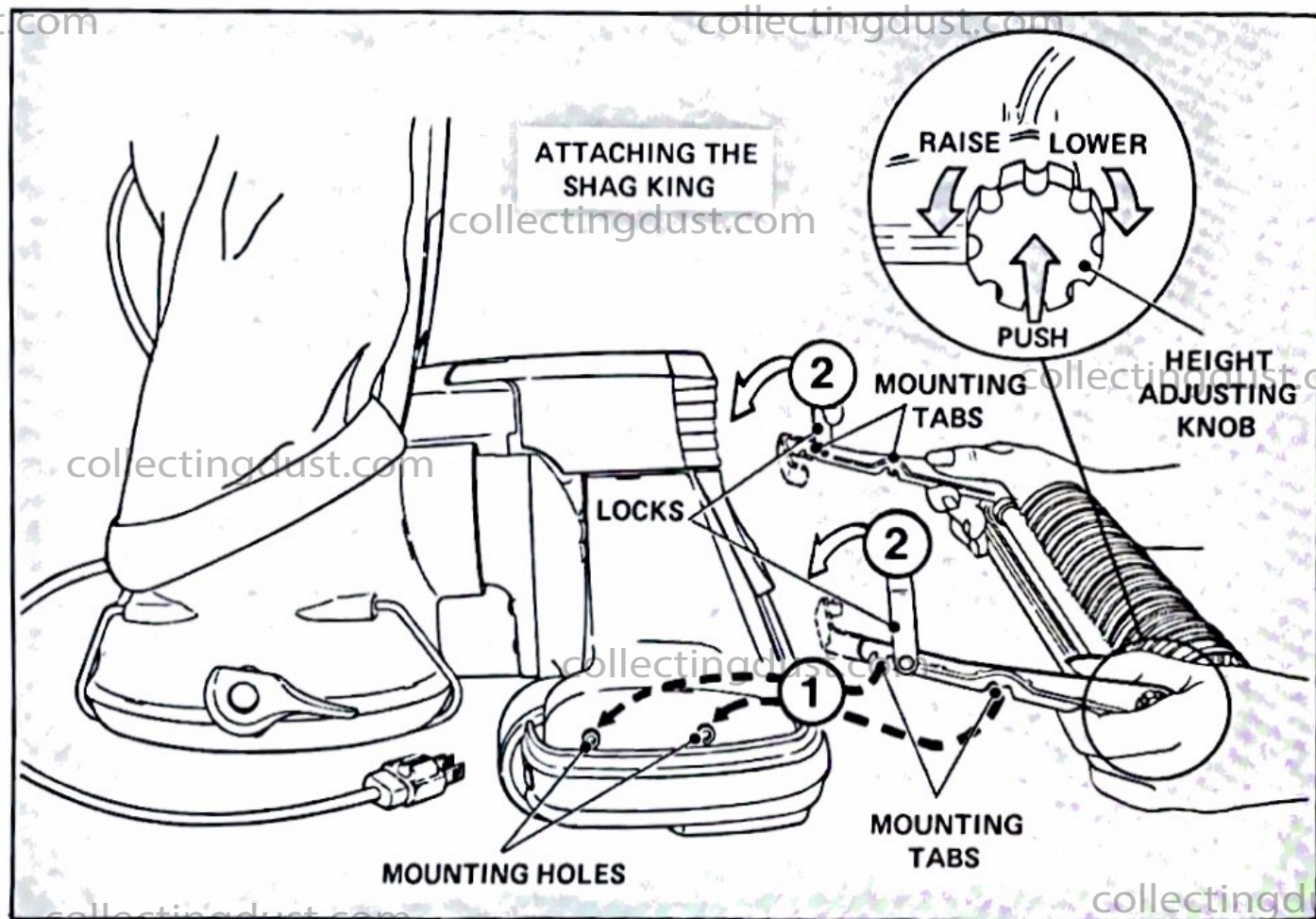
WARNING

BEFORE CHANGING UNITS OR ATTACHMENTS, ALWAYS UN-PLUG POWER CORD FROM WALL OUTLET, AND BE SURE MOTOR AND FAN HAVE COME TO A COMPLETE STOP.

Adjust the toe touch control to full up (number 8) position.

Hold the Shag King by the two arms as shown. Be sure the locks are in the up position. Slide the Shag King forward over the rug nozzle until the tabs on the Shag King line up with the holes in the side of the nozzle. Push tabs into holes and lower the locks.

Adjust the rug nozzle to the proper height and turn the Shag King height adjusting knob as shown below until the teeth are at the proper height to comb the rug. To remove the Shag King, just open locks, spread arms, and lift off.



STRAIGHT SUCTION CLEANING – THE DUSTER-BUFFER

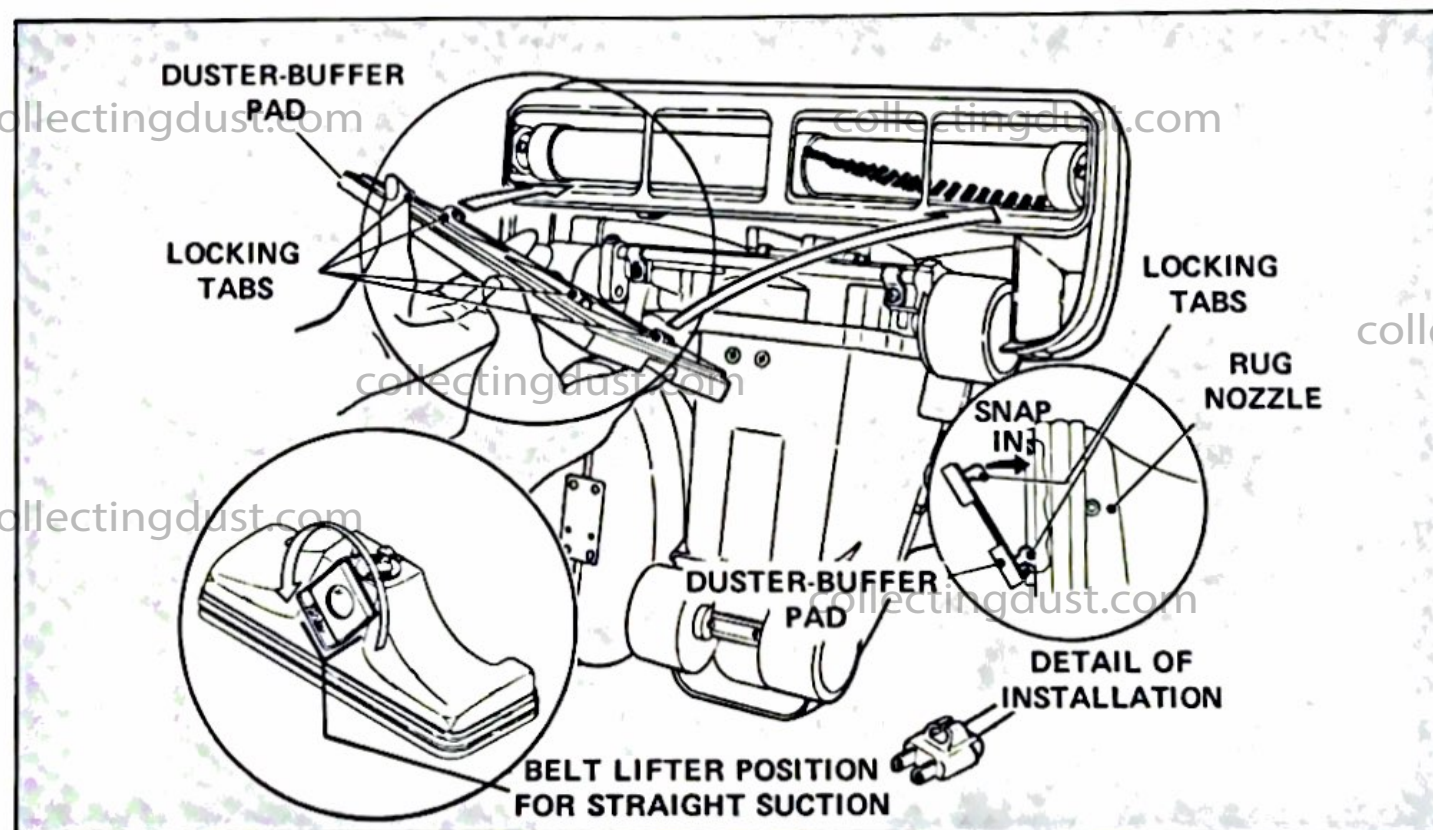
WARNING

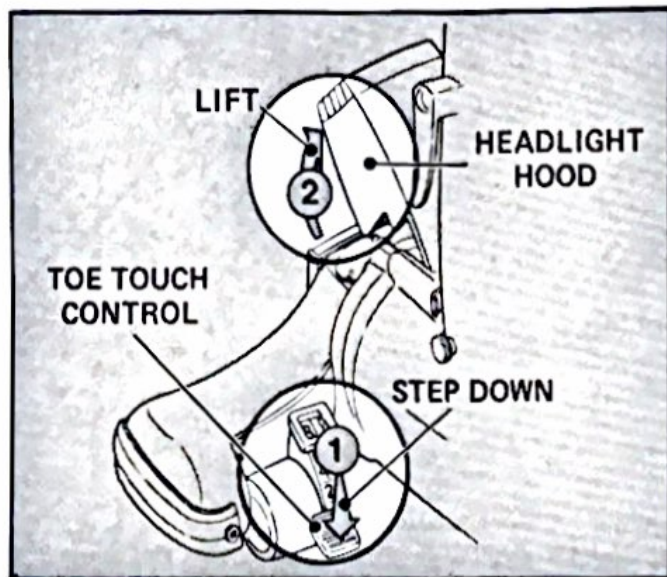
BEFORE CHANGING UNITS OR ATTACHMENTS, UN-PLUG POWER CORD FROM WALL OUTLET, AND BE SURE MOTOR AND FAN HAVE STOPPED.

The straight suction upright (brush roll not turning) is ideal for use on shag, long pile and loose rugs and on certain types of non-woven rugs and carpeting. The upright is also used without the brush roll turning when the duster-buffer is used on hard surface floors for dusting and buffing in one step.

To preserve the beauty of your hard surface floors, convert the Kirby TRADITION upright to a straight suction cleaner. Just unlatch and raise the headlight hood, turn the belt lifter on the front of the rug nozzle all the way counterclockwise, and hold it there. While holding the belt lifter, slowly lower the headlight hood until it latches with the upper corner of the belt lifter under the hood. Note the position of the belt lifter in the picture.

Remove the duster-buffer from the attachment case and attach it to the bottom of the rug nozzle. Turn on the motor and you are ready to buff and dust hard surface floors as you vacuum. Dust and loose material are drawn into the rug nozzle from all sides. This ensures that you will have a bright and dust-free floor when you are finished.

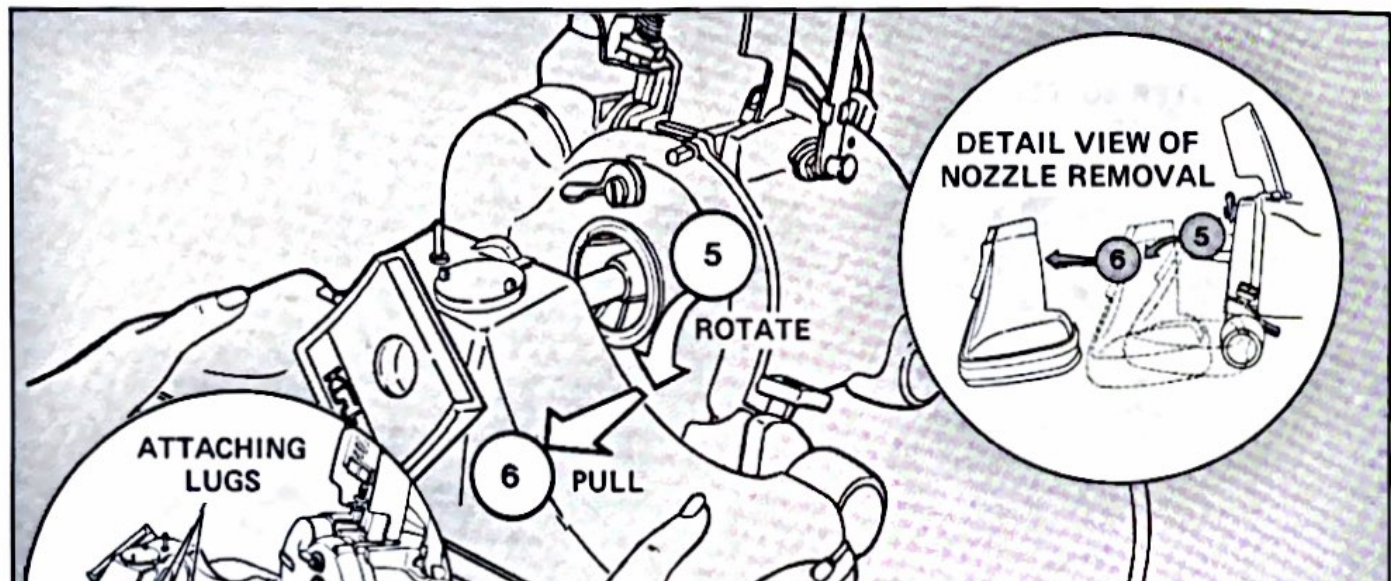
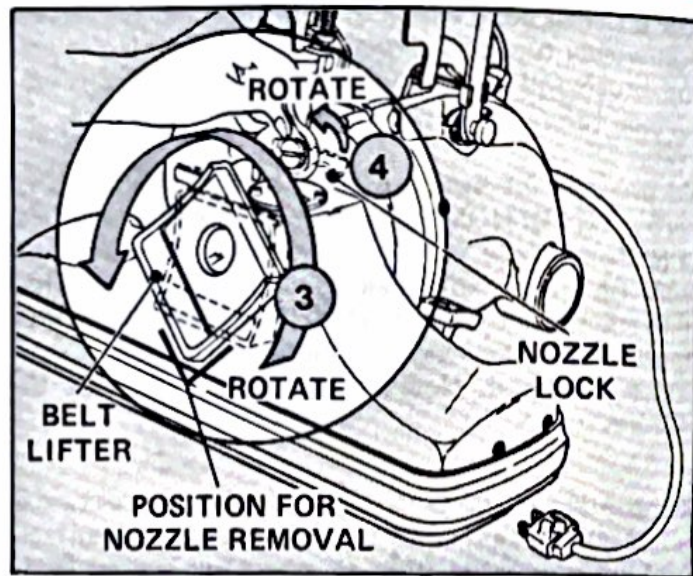




REMOVING THE RUG NOZZLE

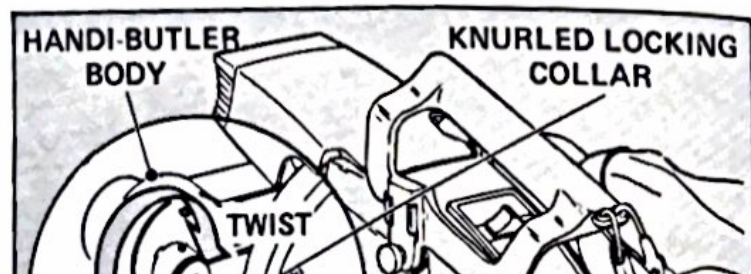
To remove the rug nozzle from the power plant, set the toe touch control to the full up (number 8) position and unlatch and raise the headlight hood. Turn the belt lifter counterclockwise and rotate the attachment lock to the left. Rotate the rug nozzle away from the motor unit and lift the nozzle off the attaching bar.

WARNING
BEFORE CHANGING UNITS OR ATTACHMENTS, UNPLUG POWER CORD FROM WALL OUTLET, AND BE SURE MOTOR AND FAN HAVE COME TO A COMPLETE STOP.



USING THE FLEXIBLE SHAFT

One end of the flexible shaft has a fixed permanent magnet which grips tools firmly, but lets you pull them away easily. The other end has a knurled locking collar to attach it to the rear of the body.

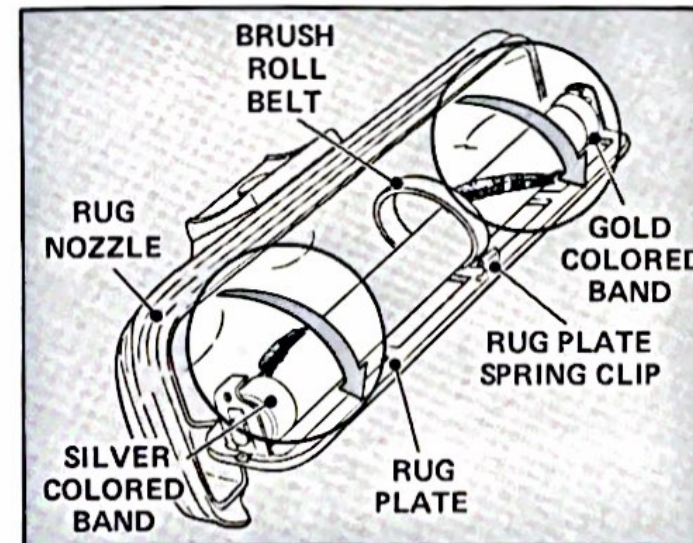
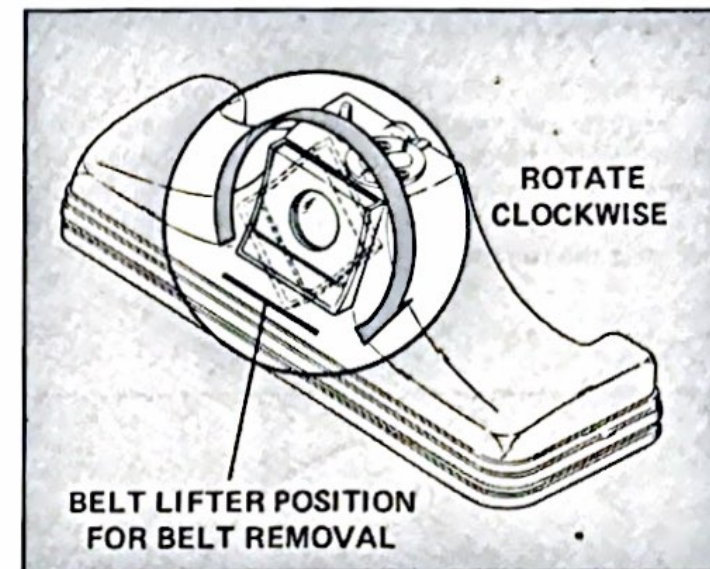


BELT REPLACEMENT

To replace the belt on the rug nozzle, place the nozzle on a table with the belt lifter up. Turn the belt lifter all the way counterclockwise until the belt drops off the finger inside the nozzle. The spring clip holds the rug plate to the nozzle. Pull front of rug plate up and swing back the rug plate on its hinges.

Gently bend back the brush roll end bracket as pictured and lift up one end of the brush roll.

Slide the belt off the roll and slide on a new belt. The new belt must be in the middle of the roll. Place the roll back into the end bracket with the screw heads facing the smooth side of the rug plate.



Turn the belt lifter clockwise until the finger in the nozzle picks up the belt.

NOTE: If the entire roll is removed, be careful to replace the roll exactly as it came out. The silver end of the brush roll is wider than the gold end so brush roll will be replaced correctly. If it is installed backwards, the end brackets will be damaged.



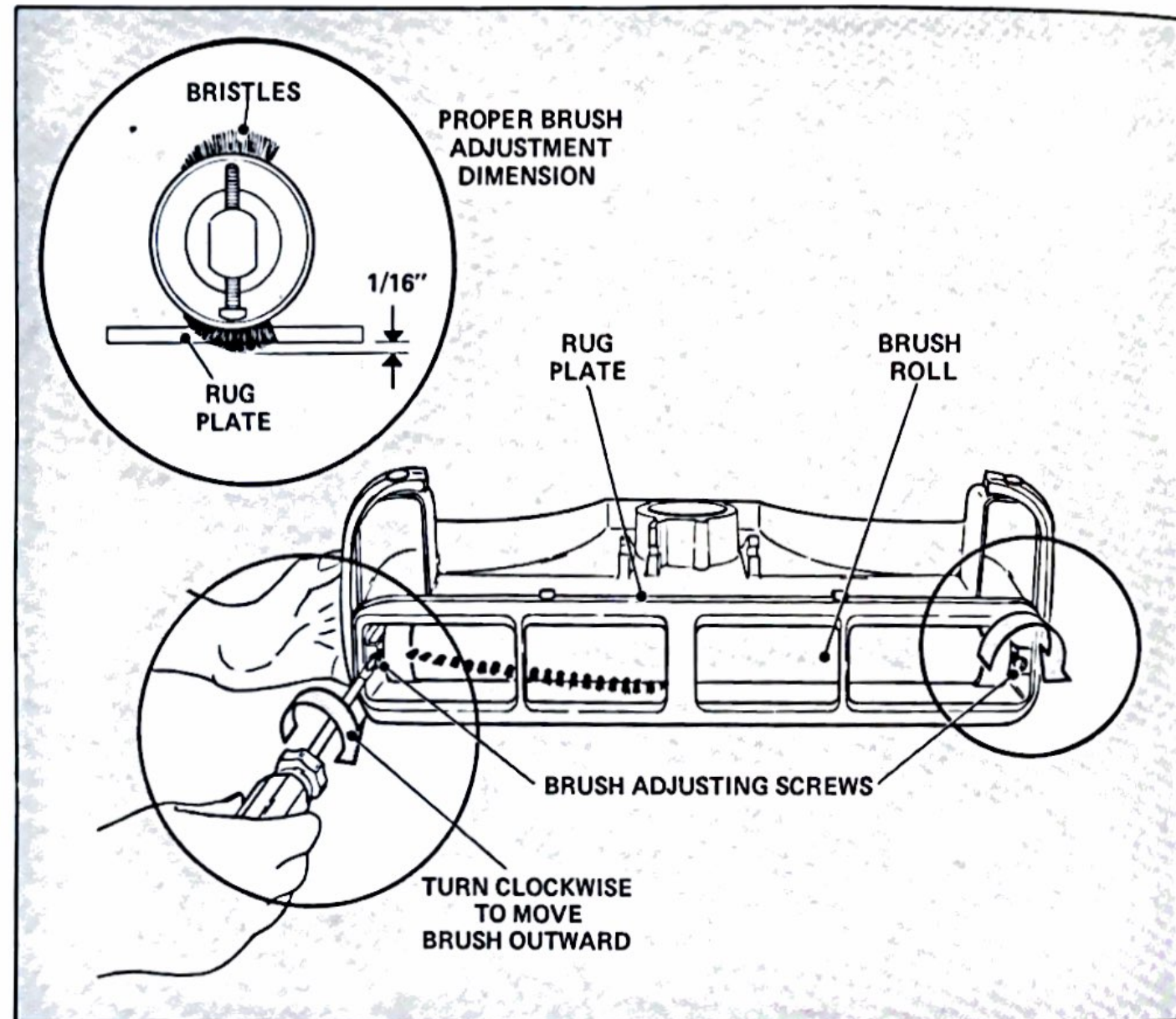
SABER SAW

IMPORTANT: Stay close to the motor start switch on the power plant. If the saw binds in the cut, stop it immediately to keep the Handi-Butler belt from slipping. Make sure the piece being cut is held down firmly. WEAR SAFETY GLASSES.

The Handi-Butler saw is a saber saw when the saw is mounted

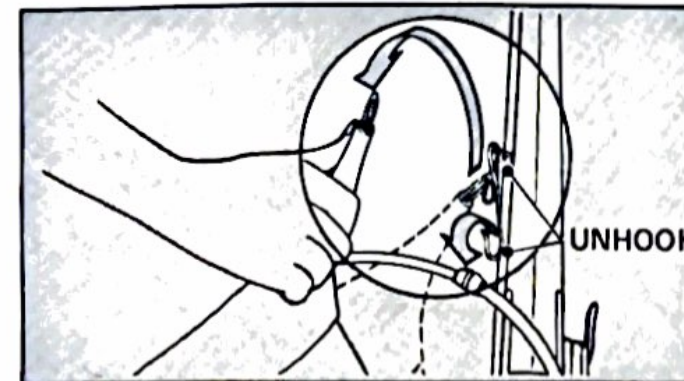
BRUSH ADJUSTMENT

After the rug nozzle has been in use for some time, the brushes will begin to wear down. To adjust the brush height, place the rug nozzle on a table. Turn each screw to the right a few turns (an equal amount on each screw) until the brushes protrude about 1/16 inch past the rug plate.



BRUSH CLEANING

Keep the brushes clear of lint, string, hair, and other fibers. Pay particular attention to keeping these fibers away from the bearings at the ends of the brush roll.

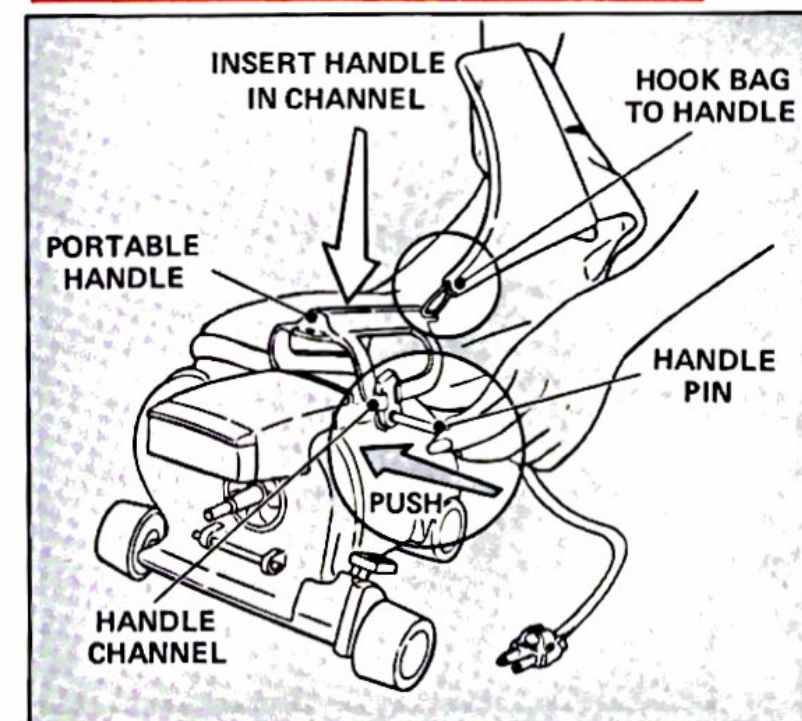
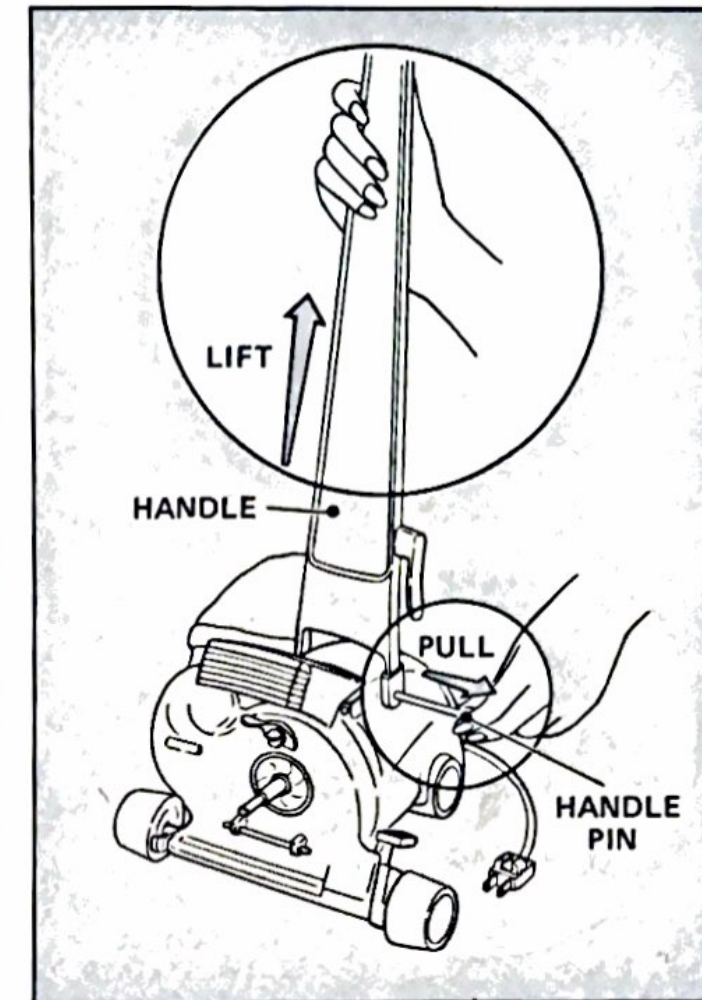


WARNING

BEFORE CHANGING UNITS OR ATTACHMENTS, ALWAYS UNPLUG POWER CORD FROM WALL OUTLET, AND BE SURE MOTOR AND FAN HAVE COME TO A COMPLETE STOP.

WARNING

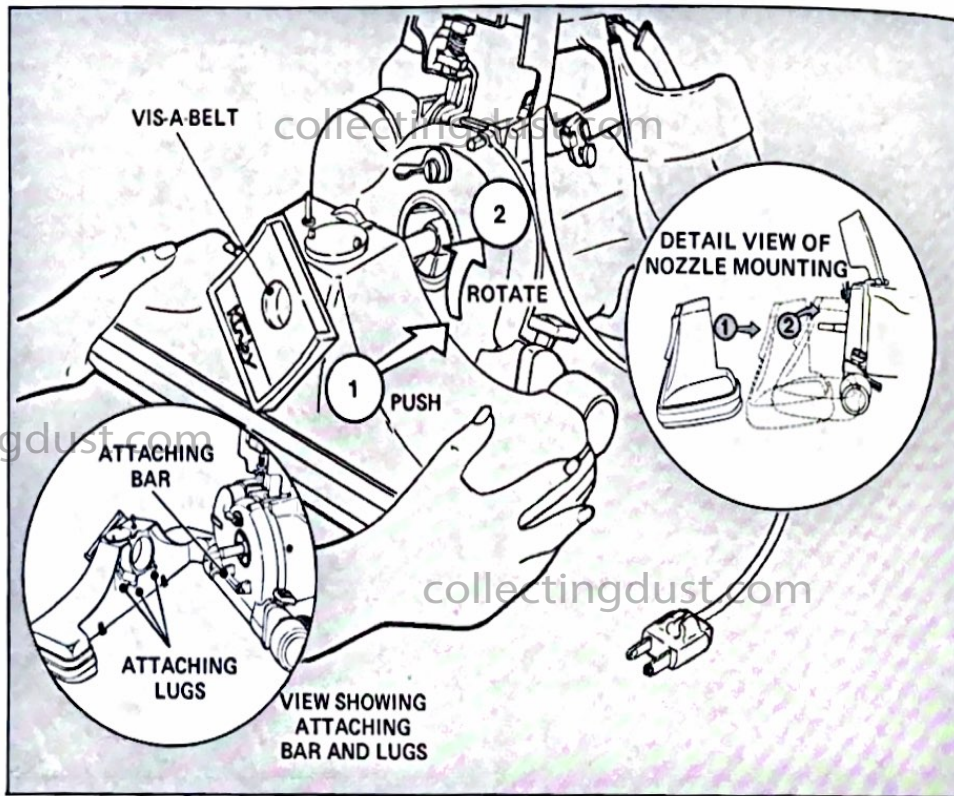
WHEN USING THE TRADITION AS A PORTABLE, YOU WILL BE CLOSER TO THE POWER PLANT AND SHOULD TAKE EXTRA PRECAUTIONS TO ASSURE THAT HAIR AND LOOSE CLOTHING DO NOT COME NEAR INTAKE PORTS, NOZZLE, AND POWER PLANT.



When you find it more convenient, you may remove the handle from the Kirby TRADITION and attach the portable handle. You can take this light-weight portable cleaner almost anywhere.

To convert to a portable cleaner, lower handle slightly and remove the filter bag and power cord from the clip at the top of the handle. Pull the handle pin all the way out and lift off the handle.

Remove the portable handle from the attachment case and slide it into the handle channel on the power plant. Push the handle pin all the way in to hold the portable handle on the power plant. Be sure the pin goes through the holes on both sides of the portable handle. Hook the bag onto the open hook at the rear of the portable handle.



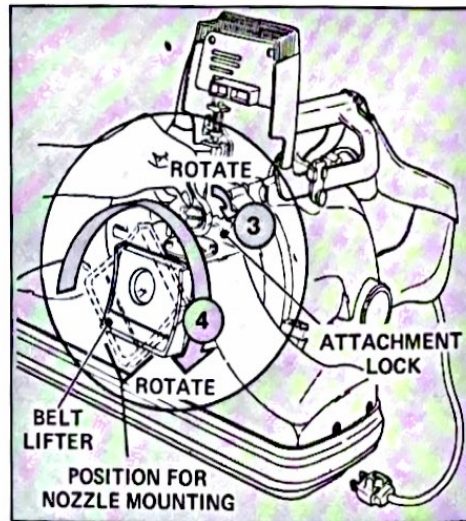
MOUNTING THE RUG NOZZLE

Turn the belt lifter on the rug nozzle all the way counterclockwise. Look through the Vis-A-Belt window in the front of the nozzle or at the Magic Finger belt lifter at the back of the nozzle to be sure the finger has picked up the belt and is holding it up.

Slide the nozzle over the power plant output shaft, lifting slightly so that the attaching lugs on the nozzle fit over the attaching bar on the power plant. Hold the nozzle snugly against the power plant and rotate the attachment locking lever to the right until it is tight.

Turn the belt lifter all the way clockwise. Check through the Vis-A-Belt window to be sure the belt has settled on the output shaft.

Close and latch the headlight hood.



DEEP CLEANING PORTABLE

With the TRADITION set up as a portable, it is very useful for deep cleaning of carpeted stair treads as shown in the picture.

CAUTION

WHEN USING THE DEEP CLEANING PORTABLE, KEEP IT MOVING ACROSS THE SURFACE TO BE CLEANED. DO NOT LET IT REMAIN RUNNING IN ONE PLACE.

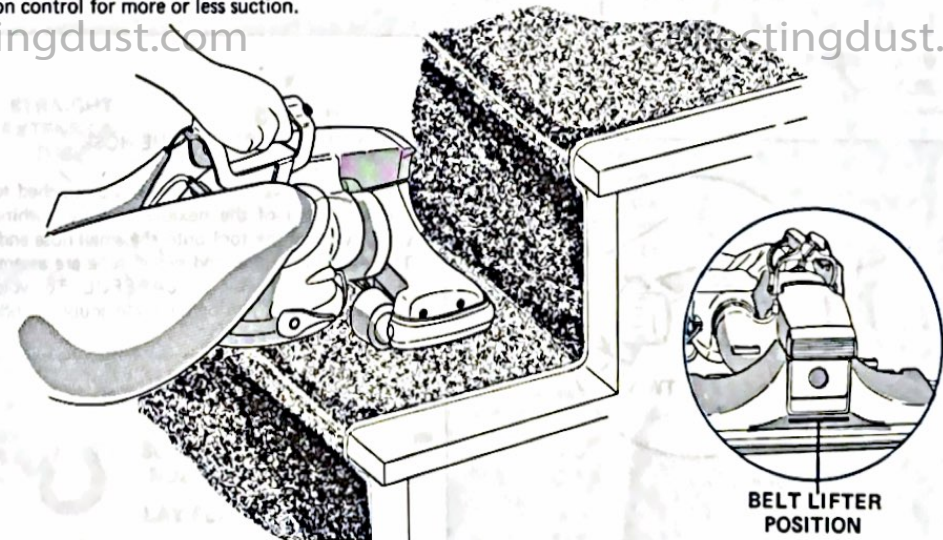


STRAIGHT SUCTION PORTABLE

Use the TRADITION set up as a straight suction portable cleaner for deep cleaning mattresses and thick upholstered cushions. Unlatch and raise the headlight hood and turn the belt lifter fully counterclockwise, and hold it there. While holding the belt lifter, slowly close the headlight hood until it latches with the top of the belt lifter under the hood. This will stop the belt and brush roll from turning and the TRADITION is now a straight suction cleaner.

Move the cleaner over the surface slowly, covering the entire area.

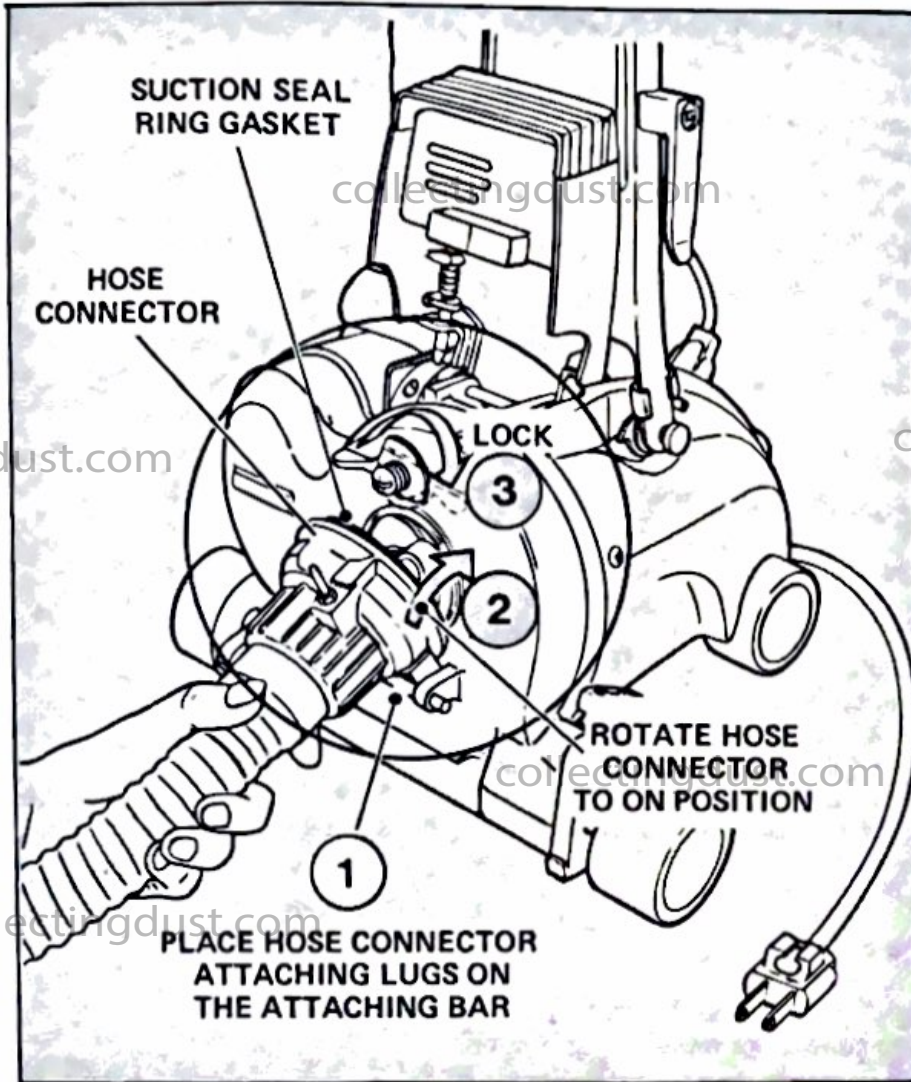
If necessary, stop the cleaner and adjust the suction control for more or less suction.



WARNING
 BEFORE CHANGING UNITS AND ATTACHMENTS, UNPLUG POWER CORD FROM WALL OUTLET, AND BE SURE MOTOR AND FAN HAVE COME TO A COMPLETE STOP. KEEP HAIR AND LOOSE CLOTHING AWAY FROM INTAKE PORTS, NOZZLE, AND POWER PLANT.

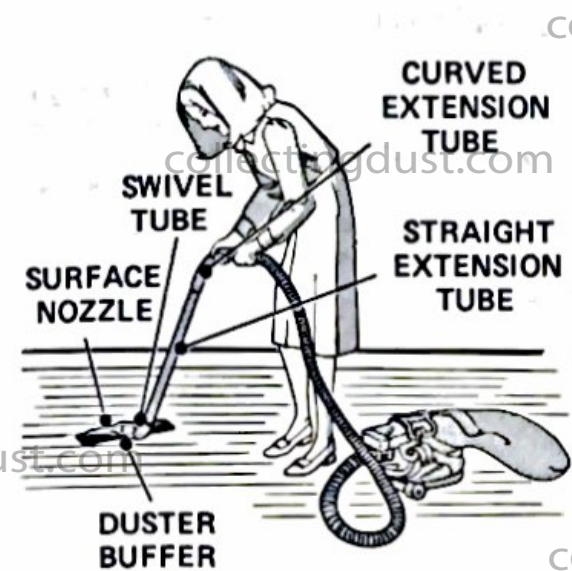
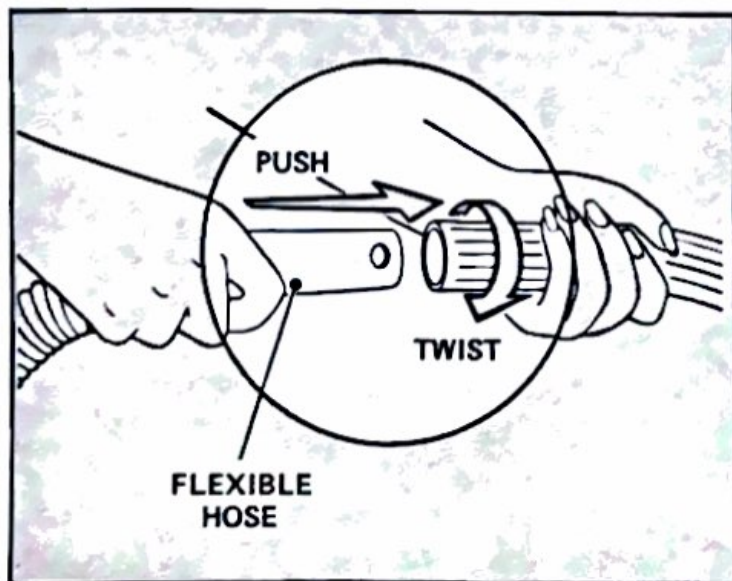
To use the above-floor tools, the flexible hose must be attached to the front of the TRADITION. Remove the rug nozzle by unlatching and raising the headlight hood, turning the attachment locking lever all the way to the left and pulling up and back on the nozzle.

Place the attaching lugs on the large end of the flexible hose over the attaching bar on the power plant and swing the hose end up against the power plant. Rotate the attachment locking lever until it is tight, and close and latch the headlight hood



ATTACHING TOOLS TO THE HOSE

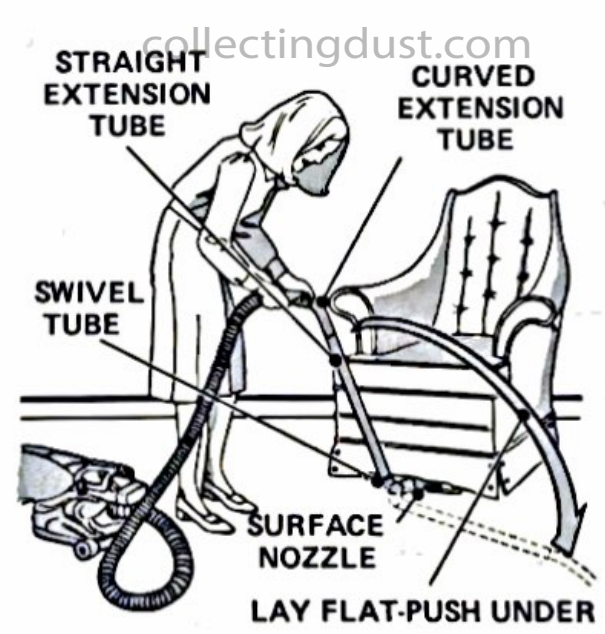
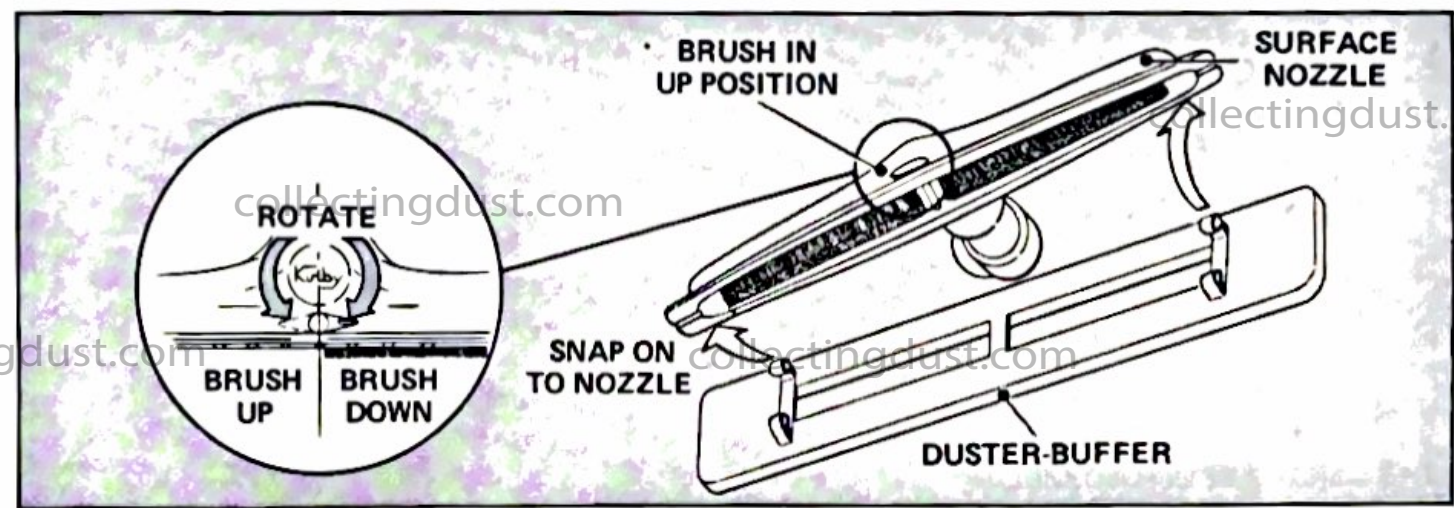
All of the above-floor tools can be attached to the small end of the flexible hose by pushing while twisting the tool onto the small hose end. The extension tubes and swivel tube are assembled in the same way. **BE CAREFUL:** To avoid breakage, do not jam or force the coupling ends together.



THE SURFACE NOZZLE

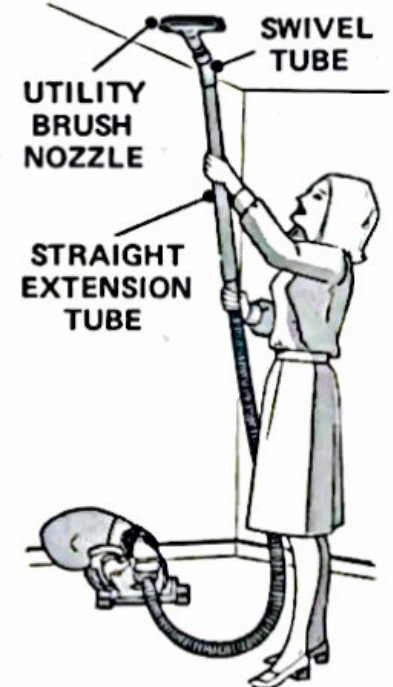
The surface nozzle can be used as an above-floor or an on-the-floor tool. It has a lever on the front of its housing which allows you to raise or lower the brush. The up position is recommended for the cleaning of hard surfaces, such as the floors and paneling, and also for loose rugs. Also, with the brush in the up position, the duster-buffer snaps onto the surface nozzle, making it a fine tool for dusting any smooth surface.

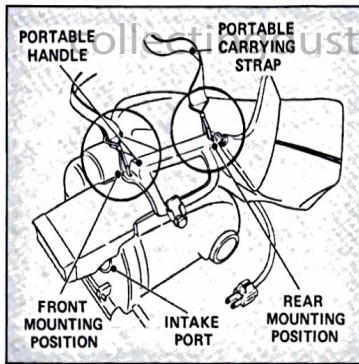
With the brush extended, it becomes a carpet or rug cleaning tool to use under chairs, tables, or sofas, getting at those places an upright cleaner just cannot reach.



Attaching the curved extension tube to the hose, the straight extension tube to the curved tube, the swivel tube to the straight tube, and the surface nozzle to the swivel gives you maximum reach into tight corners or under large pieces of furniture or beds.

Attaching the hose to the straight tube and adding the swivel and utility brush nozzle makes an effective ceiling cleaning arrangement.





PORTABLE SHOULDER STRAP

The shoulder portable is ideal for cleaning in areas where considerable mobility and freedom of hands is required.

Remove the carrying strap from the attachment case and clip the spring clip on each end into the holes at front and back of the portable handle.

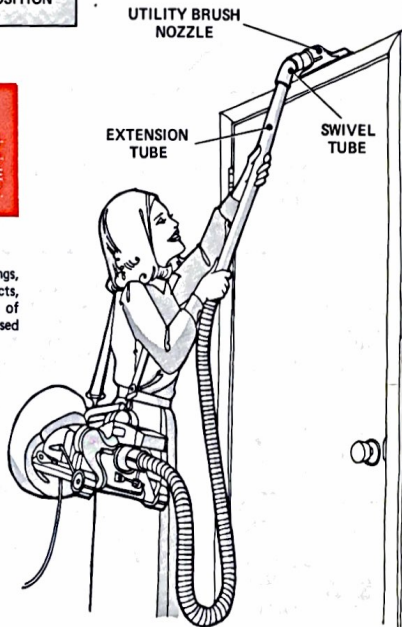
Slide the adjusting buckle on the carrying strap so the portable cleaner rests comfortably on your shoulder.

WARNING

TAKE EXTRA PRECAUTIONS TO ASSURE THAT HAIR OR LOOSE CLOTHING DO NOT COME NEAR INTAKE PORTS, NOZZLE, AND POWER PLANT.

THE UTILITY BRUSH NOZZLE

For cleaning walls, ceilings, window moldings, cornices, furnace and air conditioning ducts, doorjams and lintels, lighting fixtures, top of high shelves, bookcases, etc. It is generally used on the end of the extension tube.

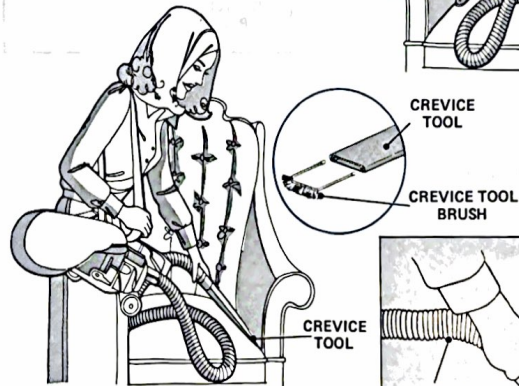
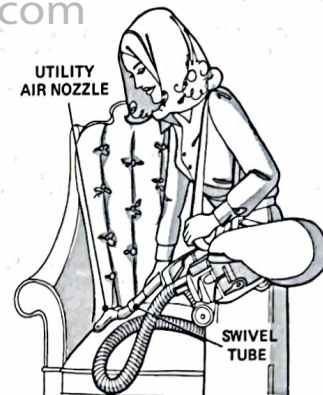


collectingdust.com

THE UTILITY AIR NOZZLE

This tool is most frequently attached to the end of the flexible hose and used for surface cleaning upholstered furniture. Used on the end of the extension tube, it is ideal for surface cleaning draperies.

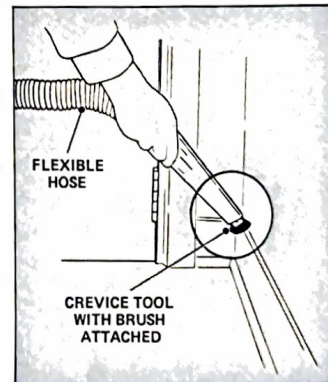
UTILITY AIR NOZZLE



THE CREVICE TOOL

For deep cleaning in the crevices and behind seat cushions of upholstered furniture, attach the crevice tool to the flexible hose or to the extension tubes without the removable brush.

With the removable brush placed in the end of the crevice tool, you have a cleaning tool that removes dirt from corners, base boards, and tops of moldings.



THE DUSTER BRUSH

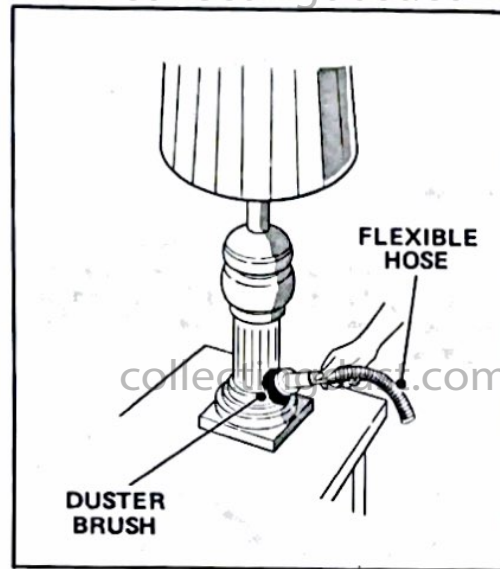
Attach the duster brush to the end of the flexible hose or to the extension tubes and you can remove dust from any surface, including those with deep grooves and unusual shapes.

THE INFLATOR/DEFLATOR

Attach the inflator/deflator to the end of the hose. When the hose is on the front of the TRADITION, it is a deflator. Use it to withdraw air from any inflated object.

THE MESSAGE CUP

Place the message cup on the end of the flexible hose and enjoy an invigorating skin or scalp massage.



To use the Suds-O-Gun or spray gun or to use the inflator/deflator as an inflator, the TRADITION must be set up for air pressure driven tools and attachments. This is done by removing the Sani Em-Tor from the back of the power plant and replacing it with the flexible hose.

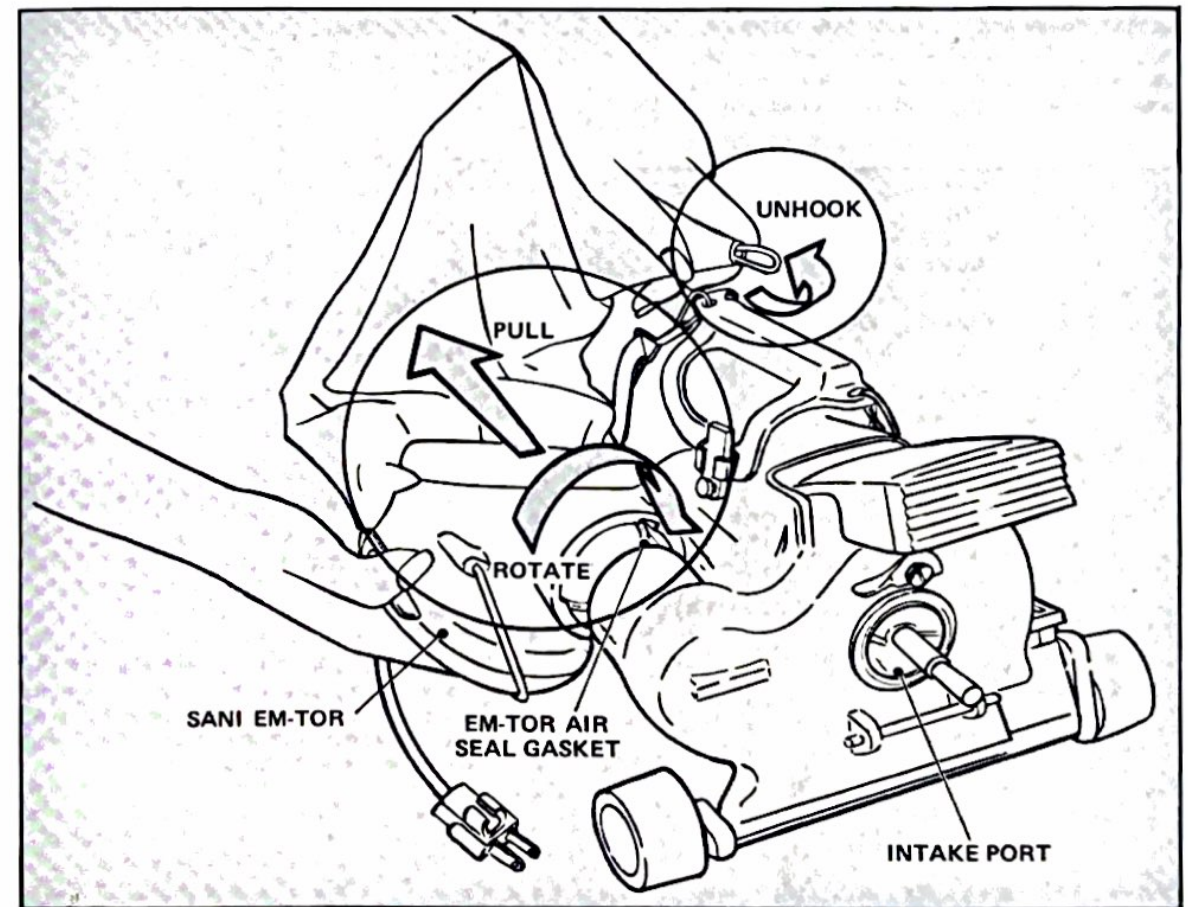
REMOVING THE SANI EM-TOR

Unhook the filter bag from the handle. Hold the cleaner steady and grasp the Sani Em-Tor firmly. Twist the Sani Em-Tor up, away from the power plant, as far as it will go, then pull straight back. The Sani Em-Tor and bag will separate from the power

plant. NOTE: The tight fit of the Em-Tor air seal gasket makes it necessary to give a firm, strong tug to twist the Sani Em-Tor up away from the power plant.

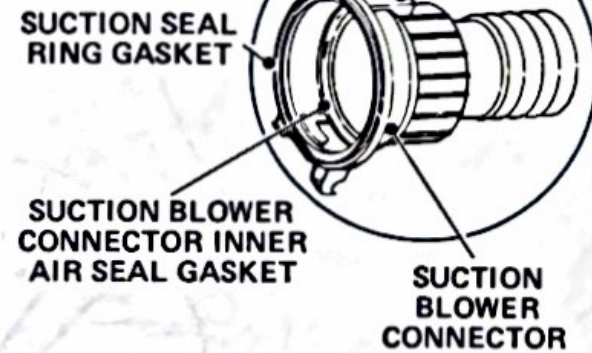
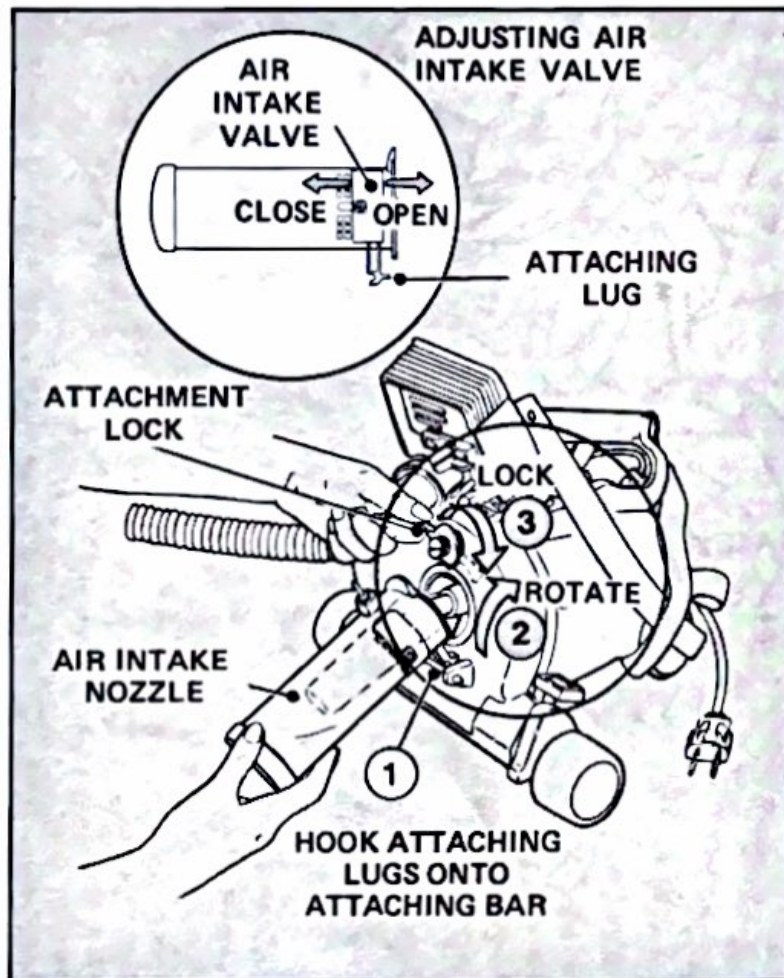
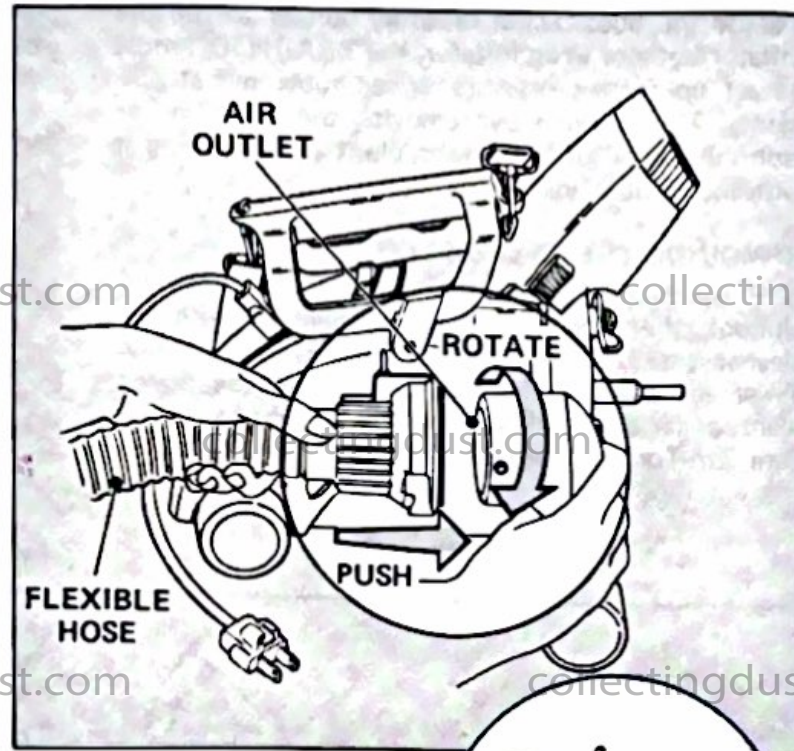
WARNING

BEFORE CHANGING UNITS AND ATTACHMENTS, ALWAYS UNPLUG POWER CORD FROM WALL OUTLET, AND BE SURE MOTOR AND FAN HAVE COME TO A COMPLETE STOP. KEEP HAIR AND LOOSE CLOTHING AWAY FROM INTAKE PORTS, NOZZLE, AND POWER PLANT.



MOUNTING THE FLEXIBLE HOSE FOR AIR PRESSURE

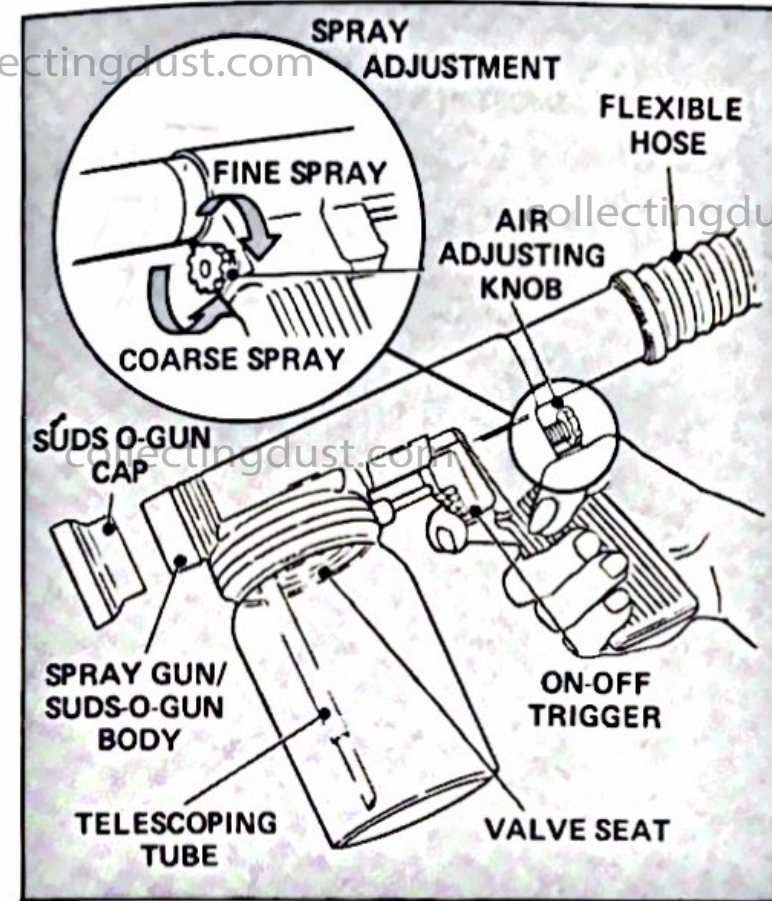
If the flexible hose is attached to the front of the power plant, remove it by unlatching and raising the headlight hood, rotate the attachment locking lever to the left, and swing the hose out and up. Place the large end of the hose over the air outlet at the back of the power plant. Be sure that the grooves on the inside of the large end of the hose match the lugs on the outside of the power plant air outlet. Push the hose onto the air outlet and turn the hose end in the direction of the arrow in the picture. The hose is now set up for air pressure. **NOTE:** The TRADITION cannot be used with air pressure tools unless the headlight hood is latched down and the air intake nozzle or other attachment is latched onto the locking bar over the intake port on the front of the power unit. Check seals and gaskets regularly.



Worn, damaged or missing seals and gaskets could cause a safety hazard and should be replaced.

ATTACHING THE AIR INTAKE NOZZLE

Place the attaching lugs on the air intake nozzle over the attachment bar on the power plant. Swing the nozzle up against the power plant and rotate the attachment locking lever until it is tight. Close and latch the headlight hood.



WARNING
DO NOT USE WITH FLAMMABLE CLEANING FLUIDS.

UPHOLSTERY CLEANING WITH THE SUDS-O-GUN

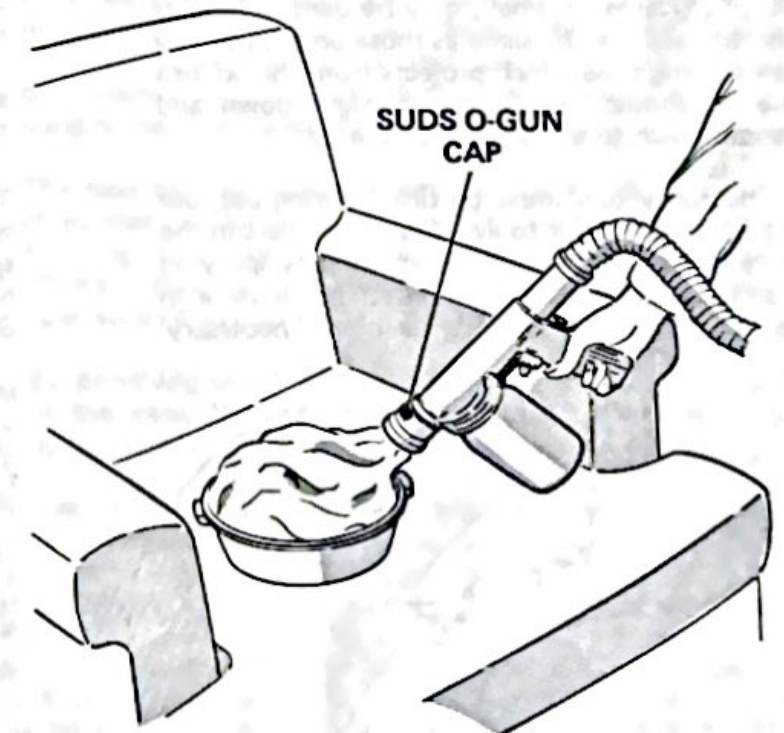
BE CAREFUL: Try a test patch first on your upholstery. Some fabrics will color bleed or water spot. Some delicate fabrics such as silk, brocade, and velvet cannot be shampooed. Apply a small patch of suds from the Suds-O-Gun to an area which does not show. Let it dry, then brush off the residue, and observe the results before cleaning the rest of the fabric.

USE KIRBY INSTANT SUDS FOR BEST UPHOLSTERY CLEANING RESULTS.

Attach the spray gun, with Suds-O-Gun cap, to the end of the flexible hose. The hose must be attached to the air outlet.

Mix Kirby Instant Suds as directed on bottle and fill spray gun jar about three-fourths full. Adjust spray gun to a very fine spray by turning air adjusting knob at rear of the spray gun clockwise. Turn on motor and pull the trigger. A volume of suds will then be produced. Suds can be spread directly on surface to be cleaned, or gathered, in a basin, or on several thicknesses of newspaper.

The suds should be worked into the surface with a brush or sponge until they disappear. Allow a few minutes for surface to dry thoroughly and then vacuum with appropriate cleaning tool to remove the dry residue which now contains grime and dirt.



THE SPRAY GUN

WARNING

DO NOT USE THE SPRAY GUN WITH OIL-BASED PAINTS OR ANY OTHER FLAMMABLE LIQUID. IF FLAMMABLE LIQUIDS ARE SPRAYED THROUGH THE SPRAY GUN, THERE IS SERIOUS DANGER OF FIRE OR EXPLOSION.

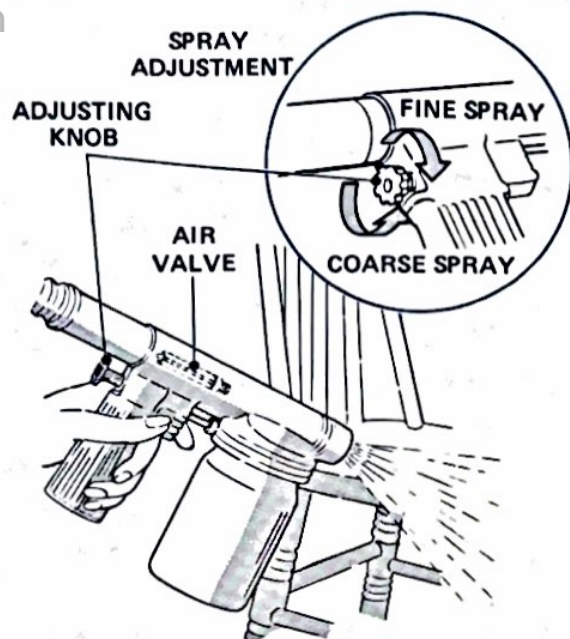
The spray gun is set up in exactly the same way as the Suds-O-Gun, except that the Suds-O-Gun cap is removed.

Unscrew the jar from the spray gun lid and fill about three-quarters full of the liquid to be sprayed. Replace the jar. Hold the spray gun as nearly horizontal as possible. Turn on the power plant and pull the spray gun trigger. Use slow, sweeping motions. Turn the spray adjustment clockwise to make the spray finer and counter-clockwise to make it coarser.

When using Latex based paints, follow the manufacturer's instructions for spraying. Sprayable Latex paints can be thinned with water to provide the desired consistency.

Any jar, large or small, may be used as long as the threads are the same as those on the lid. The telescoping tube which projects from the lid into the jar should be pointing straight down and should reach to the bottom of the jar.

If the spray gun must be tilted during use, use less liquid in the jar to avoid large droplets in the spray. Clean immediately after using by spraying fresh water through the gun only. The air valve in the gun can be removed for cleaning if necessary



by turning the air adjusting knob clockwise and disengaging it from the trigger. Removal of the air adjusting knob enables the valve seat to be removed from the spray gun body for separate cleaning. Reassemble the gun by holding the valve seat in place in the spray gun body while screwing the air adjusting knob clockwise into place.

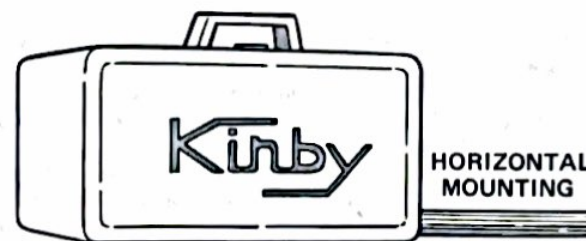
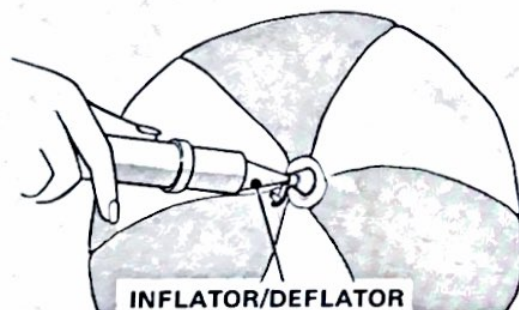
The spray gun has hundreds of uses around the house, from watering house plants with a fine spray to refinishing furniture. **JUST BE SURE YOU NEVER USE FLAMMABLE MATERIALS IN THE GUN.**

INFLATOR/DEFLATOR

CAUTION

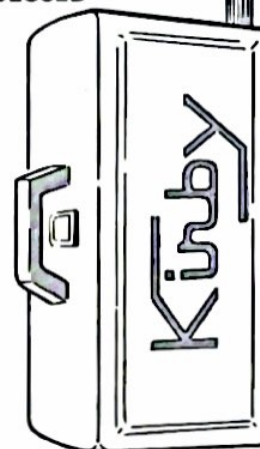
REFER TO TAG ON ARTICLE BEING INFLATED FOR MAXIMUM ALLOWABLE PRESSURE.

With the flexible hose hooked up to the power plant air outlet, attaching the inflator/deflator tool to the hose lets you inflate toys, air mattresses, or any other low pressure inflatable items up to 1 p.s.i.

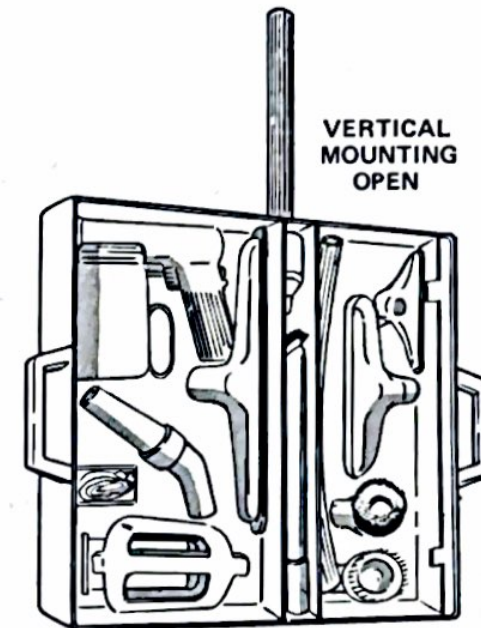


HORIZONTAL MOUNTING

VERTICAL MOUNTING CLOSED



VERTICAL MOUNTING OPEN



STORING ATTACHMENTS

Always keep the TRADITION standard attachments in the attachment case when they are not in use. The attachment case is fitted with mounting holes so that it can be mounted in any of three convenient positions. Choose the position which best fits your storage area. Never mount the attachment case near a heat source. The case can be permanently mounted to a surface with screws or simply hung on nails or hooks for storage.

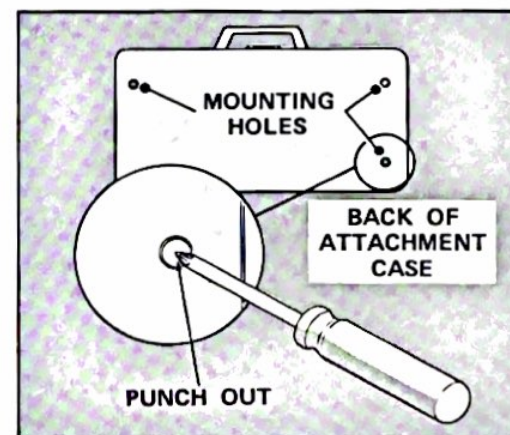
The case can be mounted vertically by knocking out the attachment hole plugs in the left side of the box and screwing the box to a wall, door, or other surface. Mounted this way, the case can be kept closed and swung open when an attachment is needed.

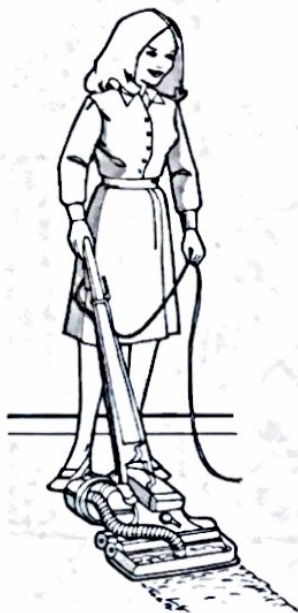
By punching out the attachment hole plugs in both sides of the case, the case can be mounted in a permanently open position.

The case can also be mounted horizontally with the handle up. The case remains closed until an attachment is needed.

STORING THE FLEXIBLE HOSE

Never store the flexible hose near a heat source. Keep it in a cool, dry place and never hang it on a hook or nail. Avoid sharp bends. Store flat in a place where it will not be twisted or stepped on.





The Rug Renovator is a home carpet and rug cleaning system that works by depositing large quantities of suds with very little moisture (dry suds). These suds are worked into the rug by motion of the powered brush as the Rug Renovator is moved backwards. As it is moved forward, the brush picks up the suds, with dirt and grit, and deposits them in a tray. The slight powdery residue that is left after the rug dries thoroughly is bound to the grit that was too small for the brush to pick up. A simple cleaning with the TRADITION set up as an upright cleaner removes it and your rug is sparkling clean.

CAREFUL CLEANING

Follow these precautions exactly to get best results.

Use only Kirby Instant Suds rug and upholstery cleaner. This compound is safe for delicate fabrics. Follow directions on bottle. For very heavy cleaning jobs add Kirby's Scuttle according to directions below.

Vacuum clean the rug or carpet thoroughly with the upright unit before using the Rug Renovator.

Always store the Rug Renovator nozzle with belt lifter in the ON position to keep tension off the belt.

Clean the entire Rug Renovator thoroughly after every use according to the instructions below to keep it in good working order.

Adjust the brush height carefully according to instructions to get efficient cleaning.

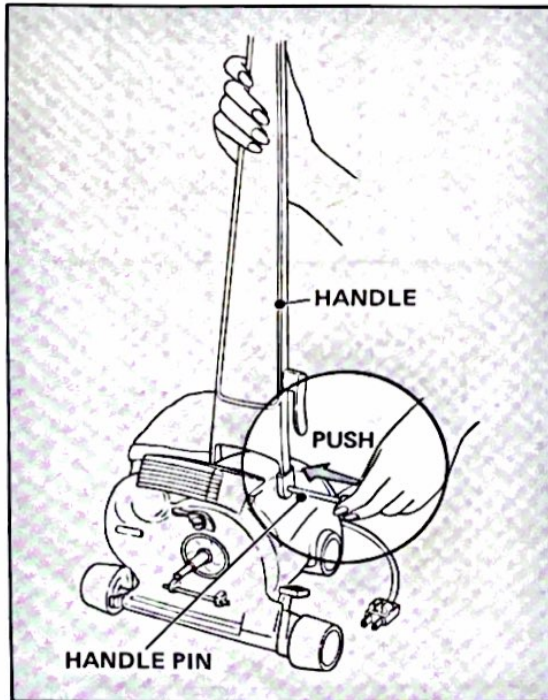
Move the Rug Renovator at the speeds recommended below to get proper suds coverage.

ASSEMBLING THE RUG RENOVATOR

WARNING

BEFORE CHANGING UNITS AND ATTACHMENTS, ALWAYS UNPLUG POWER CORD FROM WALL OUTLET, AND BE SURE MOTOR AND FAN HAVE COME TO A COMPLETE STOP. KEEP HAIR AND LOOSE CLOTHING AWAY FROM INTAKE PORTS, NOZZLE, AND POWER PLANT.

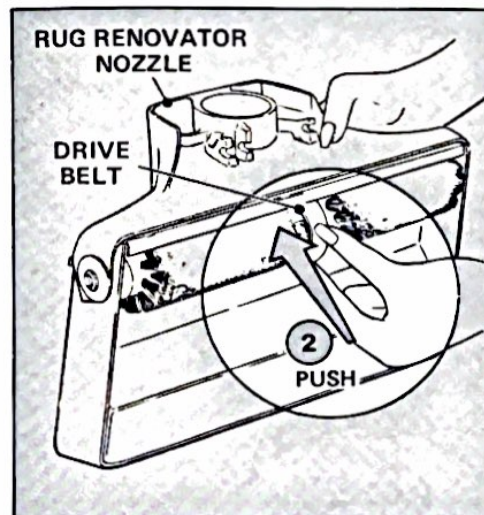
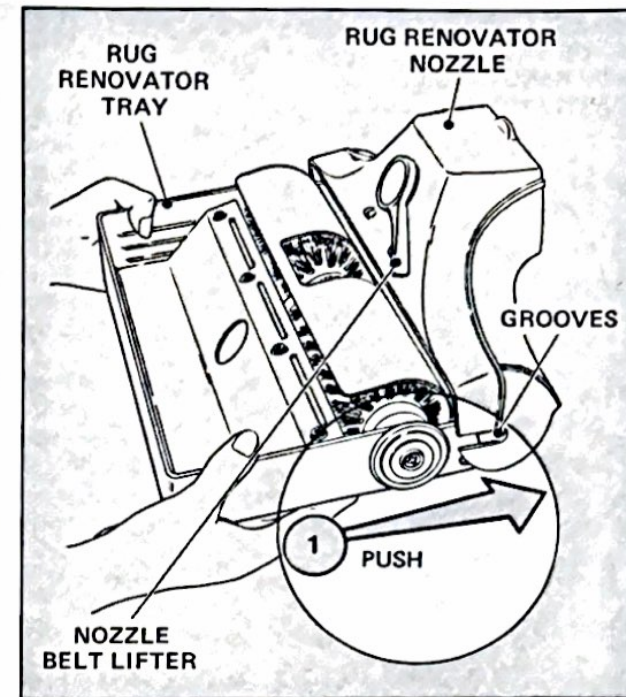
If the TRADITION has been used as a portable, remove the handle pin and lift off the portable handle and carrying strap. Place the long handle in the handle channel on the power plant and insert the handle pin. Be sure the pin goes through the holes on both sides of the long handle. Attach the power cord to this handle.



ASSEMBLING NOZZLE AND TRAY

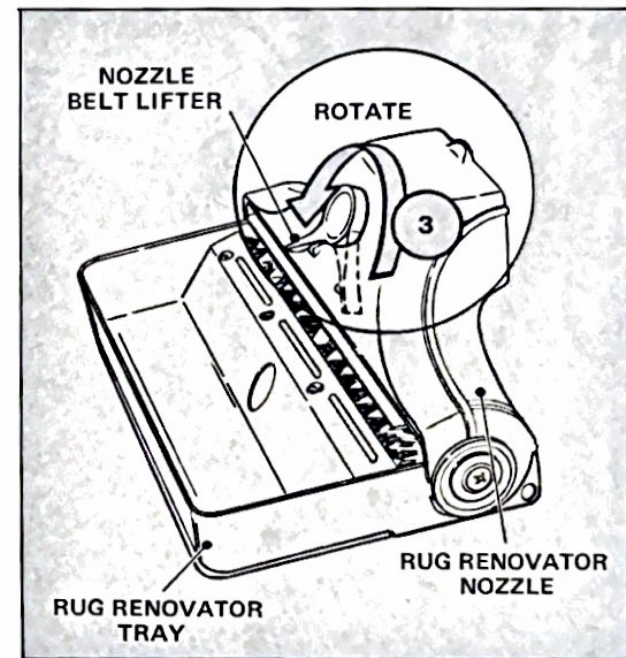
Remove the flexible hose or the Sani Em-Tor from the rear of the power plant by twisting it counterclockwise away from the power plant and pulling back.

Slide the grooves on the outside of the Rug Renovator nozzle over the shafts of the bumpers at the ends of the tray. The nozzle will fit onto the tray so that the bumpers are on the outside.

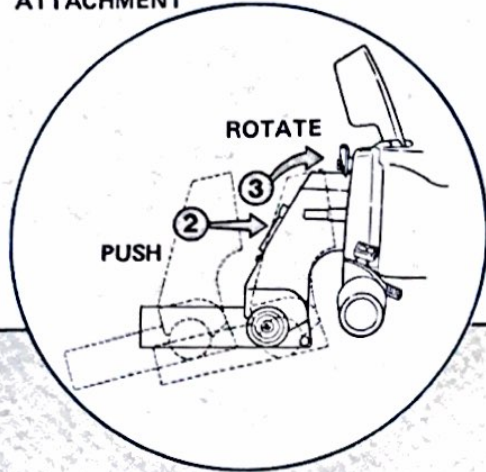


Place the nozzle belt lifter in the ON position. Turn over the assembled nozzle and tray, and grasp the belt between thumb and forefinger.

While pushing up on the belt, turn the belt lifter slowly to the OFF position. Make sure that the Magic Finger on the inside of the nozzle picks up and holds the belt in the OFF position.



DETAIL OF RUG RENOVATOR ATTACHMENT

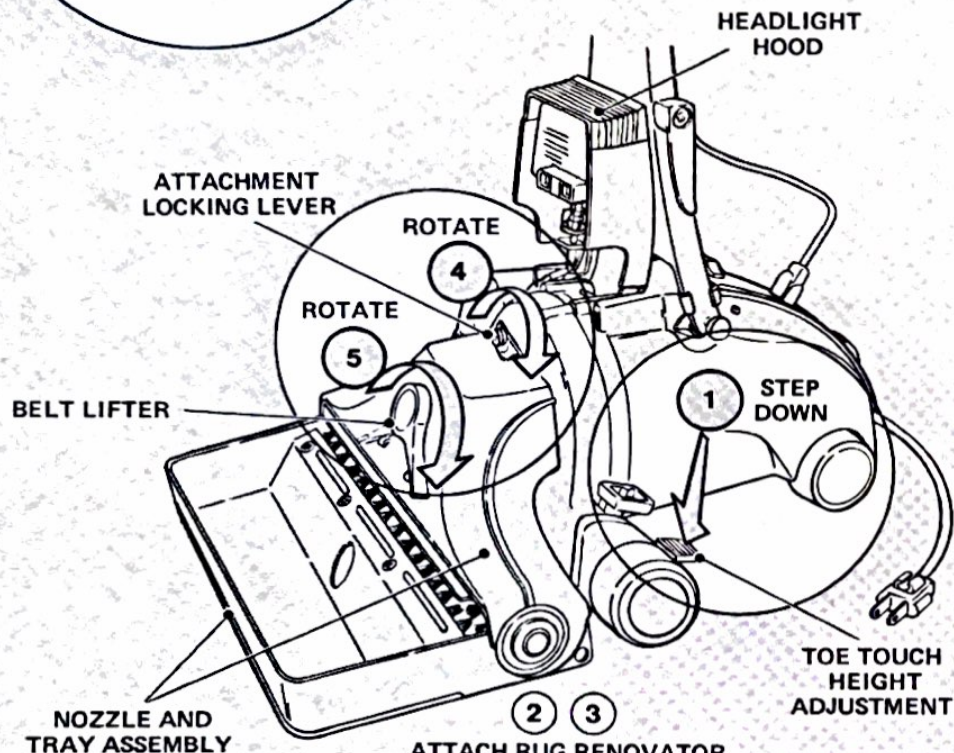


ASSEMBLING NOZZLE AND TRAY TO POWER PLANT

Set the toe touch control to the full up (number 8) position. With the headlight hood raised and the attachment locking lever rotated all the way to the left, slide the nozzle with tray over the power plant output shaft. Make sure the attaching lugs on the nozzle fit over the attaching bar on the power plant.

Swing the nozzle and tray up to the power plant and rotate the attachment locking lever to the right until it is tight.

Turn the belt lifter to the ON position and close and latch the headlight hood.

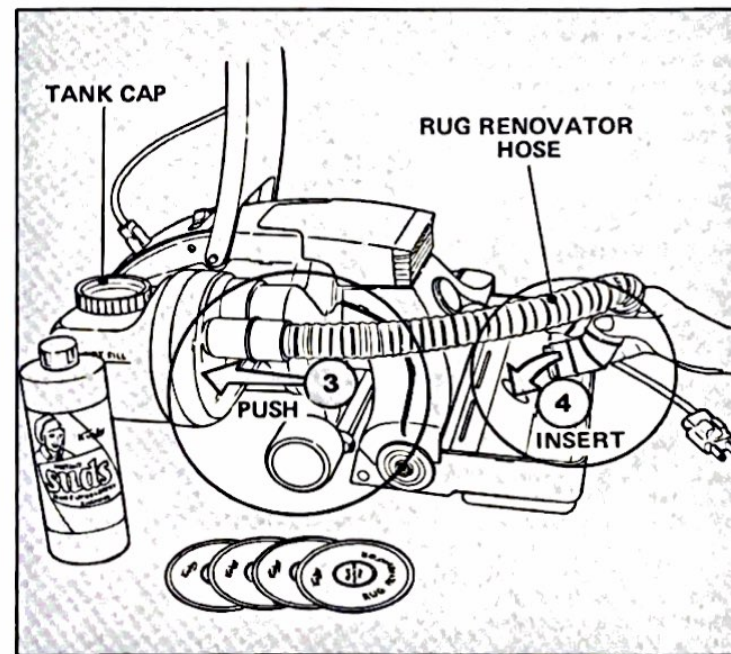
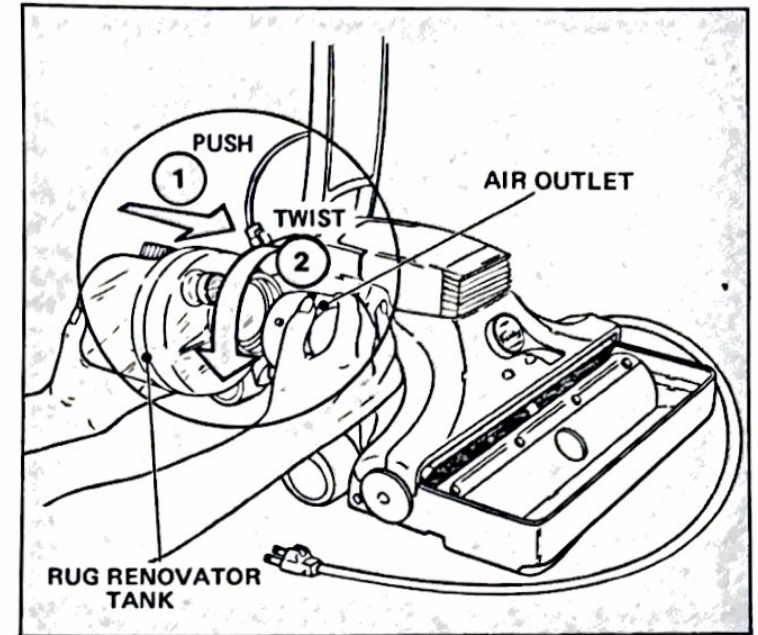


ATTACH RUG RENOVATOR TO POWER PLANT
SEE DETAIL ABOVE

INSTALLING THE TANK AND HOSE

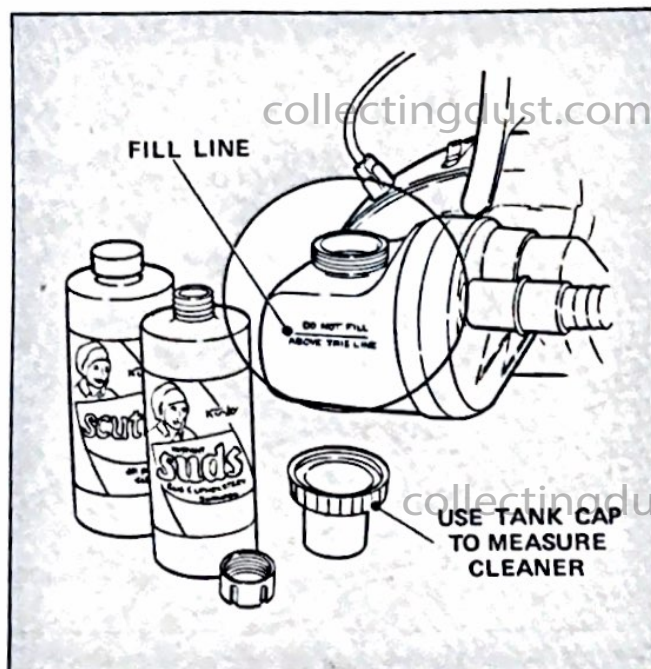
Slide the tank over the air outlet at the back of the power plant. Make sure the grooves on the inside of the tank neck fit over the lugs on the air outlet.

Twist the tank down and toward the power plant until it latches on the air outlet.



Push the straight end of the hose over the tank outlet.

Insert the bent end of the hose into the hole in the tray. Make sure the lip on the hose is all the way into the hole.



FILLING AND USING THE RUG RENOVATOR

Remove the large cap from the tank. Fill the cap with Kirby Instant Suds. Pour this into the tank and repeat with another capful. This will put a total of four ounces of cleaner in the tank. If the cleaning job is particularly tough, add a capful of Kirby's Scuttle to boost suds action. Fill the tank with warm water up to the fill line marked on the side.

Replace the cap on the tank. Install tank on cleaner. Raise the nozzle and tray all the way to the top with the toe touch controls, then lower until the brush just contacts the rug.

ADJUSTING RENOVATOR

To adjust the Rug Renovator to the proper height for shampooing your rug or carpeting, depress the toe touch control lever as far as it will go. This raises the Rug Renovator to its maximum height. Lower the Rug Renovator a step at a time by depressing the toe touch control as many times as is necessary until the brush roll will just start to rub on the carpet as you move the Kirby back and forth.

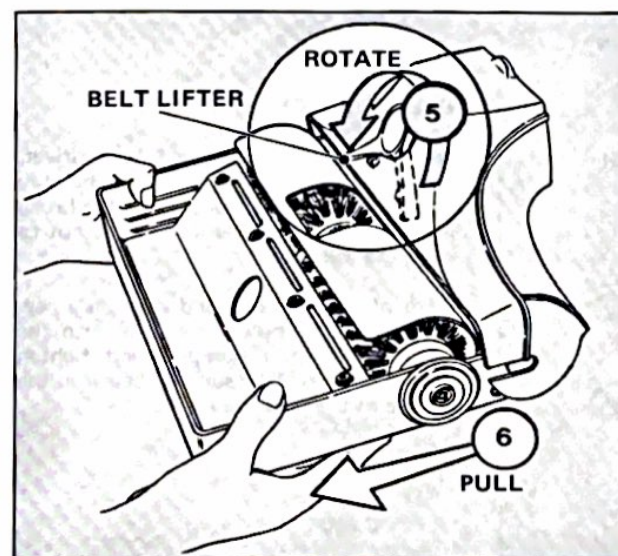
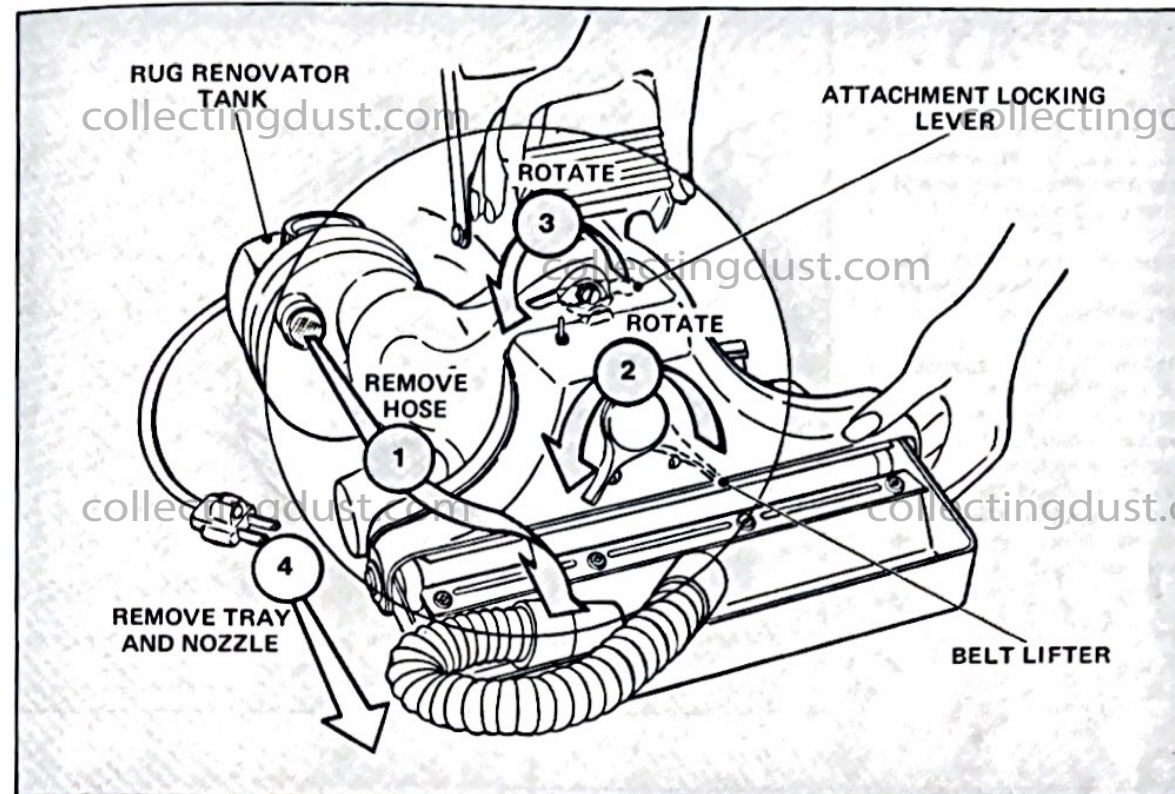
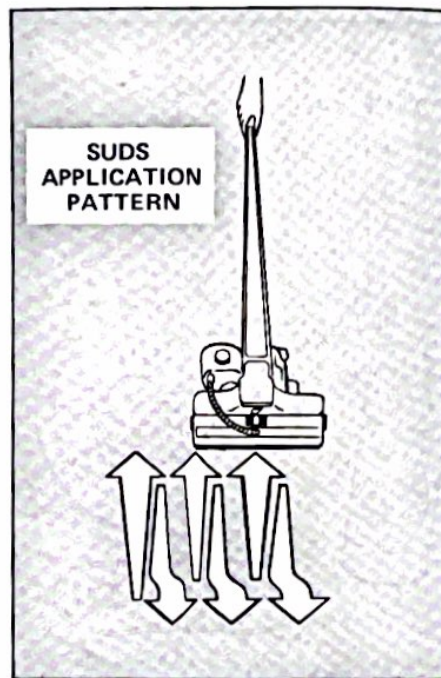
Start motor and immediately move the cleaner back and forth in slow, easy, overlapping strokes. If suds pile up in front of the cleaner, move faster or lower nozzle one notch. If the path of the suds is narrower than the tray, move slower.

CAUTION

DO NOT ALLOW MACHINE TO STAND IN ONE PLACE WHEN MOTOR IS RUNNING. SUDS WILL BUILD UP AROUND MACHINE AND MAY WET THE CARPET SEVERELY.

One tankful of liquid will clean an area about 9 feet by 12 feet. If your rug is larger, clean out the tray and refill the tank with suds mixture.

When the rug has thoroughly dried after cleaning, vacuum the slight powdery residue with the TRADITION assembled as an upright cleaner.



CLEANING THE RUG RENOVATOR

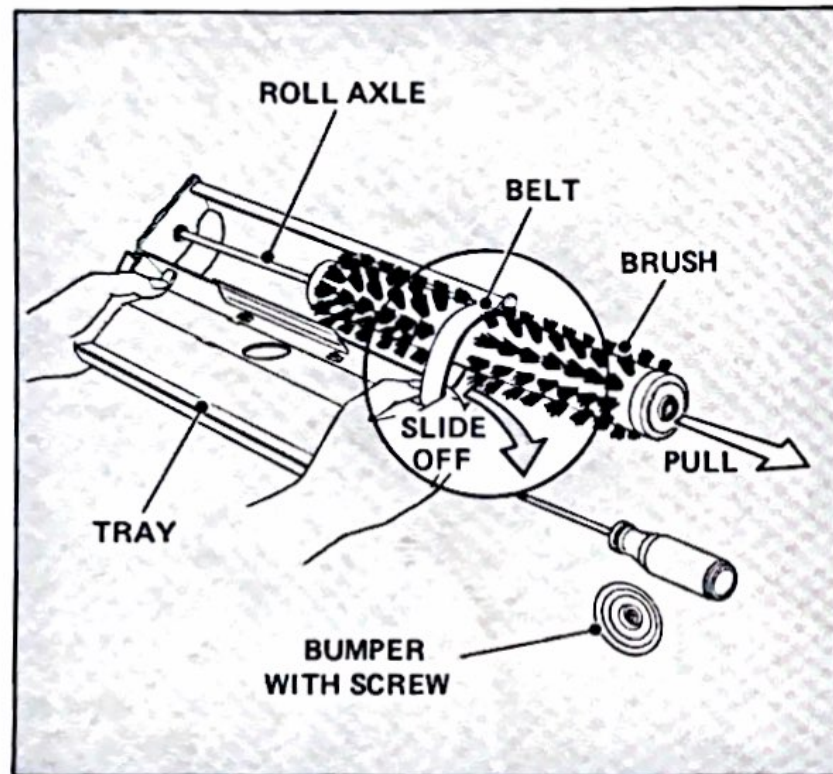
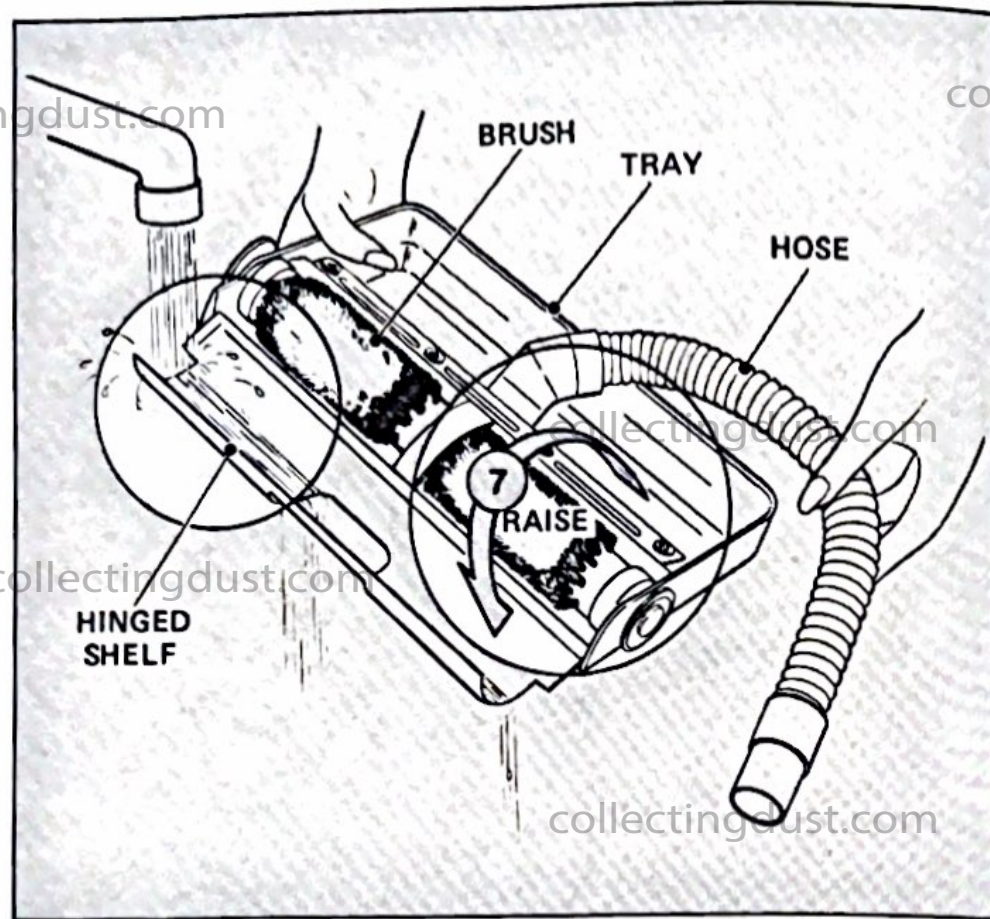
Raise the toe touch height adjustment to the full up position. Remove the hose from the tank. Rotate the belt lifter to release power shaft from belt. Unlatch and raise the headlight hood and turn the attachment locking lever all the way to the left. Lift the nozzle with tray up off the attaching bar and pull down and back to remove.

Hold the belt lifter in the ON position and unhook the belt from the Magic Finger. Pull the tray and nozzle apart.

Raise the hinged shelf on the tray and rinse off tray, hose, and brush. Remove the hose from the tray and rinse out the hose.

Wipe the tray, hose, and nozzle to remove all dust, dirt, and moisture.

Remove the tank from the air outlet by twisting counterclockwise away from the power plant and pulling back. Remove the Suds-O-Screen cap and the sponge filter and clean them thoroughly. Rinse out the tank and replace the screen and filter.



BELT REPLACEMENT

With a small Phillips head screwdriver, loosen one of the bumpers on the tray and remove the other one. Raise the brush roll out of the tray carefully so as not to bend the roll axle.

Slide off the old belt and slide on a new one. Drop the brush roll back into the tray, replace the bumper, and tighten both bumpers. Make sure the belt is in the middle of the brush roll.

THREE STEPS TO BETTER FLOOR CARE

1. Apply Kirby high-quality Handi-Wax to a clean floor with the Handi-Waxer.
2. Polish the floor with the Miracle Head mounted on the Kirby TRADITION assembled as an upright cleaner.
3. Maintain a clean floor and a high shine with the TRADITION assembled as a straight suction upright cleaner with rug nozzle and duster-buffer.

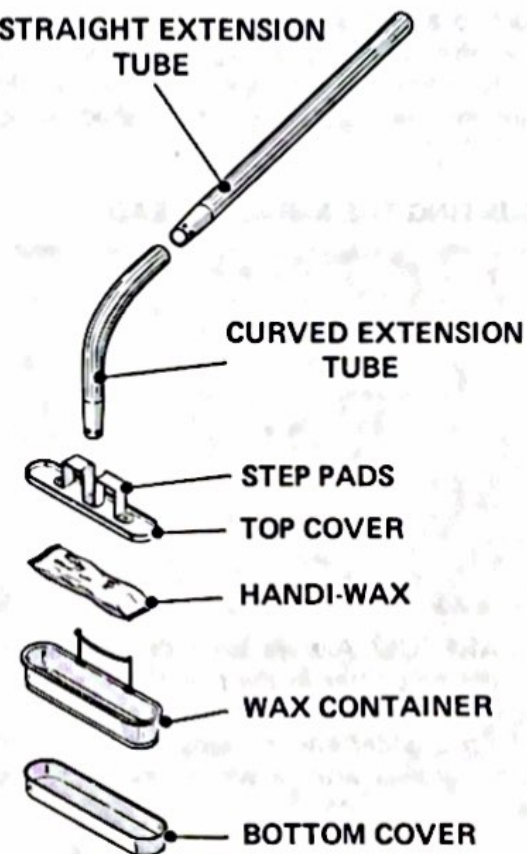
THE HANDI-WAXER

The Handi-Waxer fits onto the extension tubes from your TRADITION attachment case. The tubes form a handle. The cleaner itself is not used. When your new Handi-Waxer is delivered, it already contains a 1/2-pound package of Handi-Wax.

Handi-Wax is among the best waxes available for polishing wooden floors, linoleum, and all tile surfaces. It cannot hurt your floors. Unlike less expensive wax preparations, you do not have to buff and polish it quickly, before the drying agent evaporates. You can wait as long as you like before polishing and you can spread an even coat of wax without adding extra polishing work.



STRAIGHT EXTENSION TUBE



USING THE HANDI-WAXER

Put an UNOPENED package of Handi-Wax into the wax container and slip on the top cover. Now snap the wire locking bail in place to hold the top cover securely on the wax container.

When you are ready to put a coat of wax on a floor, remove the bottom cover, slit the bag of Handi-Wax by running a sharp knife across the slot in the bottom of the wax container.

Fit the curved extension tube into the top cover. Make sure that the tube end goes all the way into the bracket and is firmly seated.

Attach the straight extension tube to the curved tube.

CONTROLLING WAX COAT THICKNESS

Step on the step pad to force wax through the slot in the bottom of the wax container. To get an even coat, simply step on the pad occasionally to keep the wax flowing as you wax your floor. The harder and the more often you step, the thicker your coat of wax will be. Best results are obtained on most floors with a light, even coat.

Always keep the bottom cover on the wax container when the Handi-Waxer is not in use. It protects the felt pad on the bottom of the container. Store in a cool, dry place.

If you store the Handi-Waxer for a long time after it has once been used, the felt pad may dry out and become stiff. Just clean it in warm water and it will become soft again.

THE MIRACLE HEAD

WARNING

DO NOT USE WITH FLAMMABLE OR COMBUSTIBLE LIQUIDS TO POLISH OR CLEAN FLOORS.



collectingdust.com

The Miracle Head is designed to bring waxed floors to a high shine. It can be used immediately after applying Kirby's Handi-Wax. Used weekly between waxings, the Miracle Head maintains the warm glow of polished wood or tile.

MOUNTING THE MIRACLE HEAD

WARNING

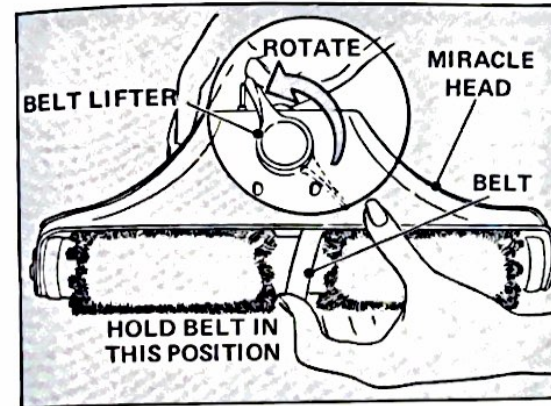
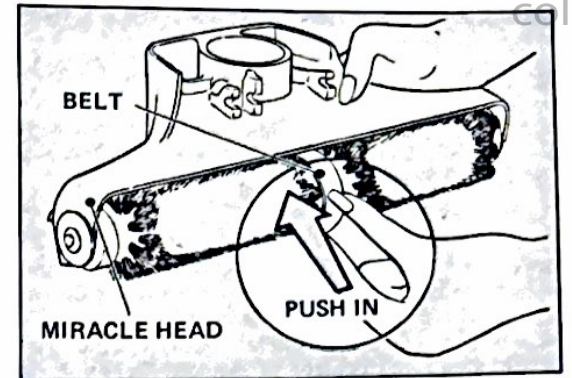
BEFORE CHANGING UNITS AND ATTACHMENTS, ALWAYS UNPLUG POWER CORD FROM WALL OUTLET, AND BE SURE MOTOR AND FAN HAVE COME TO A COMPLETE STOP. KEEP HAIR AND LOOSE CLOTHING AWAY FROM INTAKE PORTS, NOZZLE, AND POWER PLANT.

BE CAREFUL: Always store the Miracle Head with the belt lifter in the belt ON (fully clockwise) position. If it is left in the OFF position, the belt is under enough tension to cause it to become lifeless after a while, resulting in slippage.

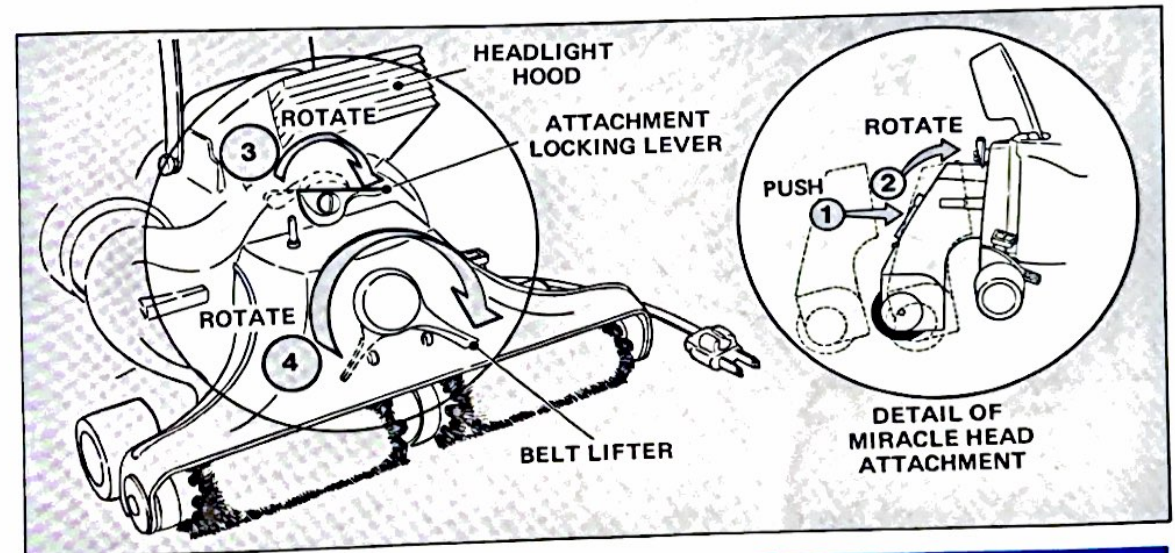
REVOLUTION



Before mounting the Miracle Head, be sure that the belt is over the Magic Finger. If it is not, turn the belt lifter fully clockwise, grasp the belt between two fingers, and push it up. While holding the belt up, turn the belt lifter counterclockwise. The Magic Finger will pick up the belt. Turn the belt lifter fully counterclockwise to OFF. NOTE: The Miracle Head belt is tighter than the rug nozzle belt and it takes a strong pull to move the Magic Finger from the ON to the OFF position.



Unlatch and lift the headlight hood of the TRADITION and remove any attachment. With the belt lifter in the OFF position, slide the Miracle Head over the power plant output shaft and engage the attaching lugs on the attaching bar. Swing the Miracle Head up to the power plant and rotate the attachment locking lever until it is tight. Turn the belt lifter to the ON position to settle the belt on the shaft. Close and latch the headlight hood.



USING THE MIRACLE HEAD

Set the toe touch control to the number 1 (down) position. **BE CAREFUL:** When you start the power plant motor, the powerful Miracle Head will tend to pull the TRADITION away from your hand. **HOLD ON TIGHT** to the handle.

Move the TRADITION with Miracle Head over the waxed floor with the handle in normal operating position. Very quickly, a beautiful, lasting wax glow will appear. If a baseboard or other vertical surface must be polished, move the handle forward and push the handle stop latch control to the left. Then you can move the brush up a vertical surface about six inches by simply pushing down on the handle as it rests against this pin.

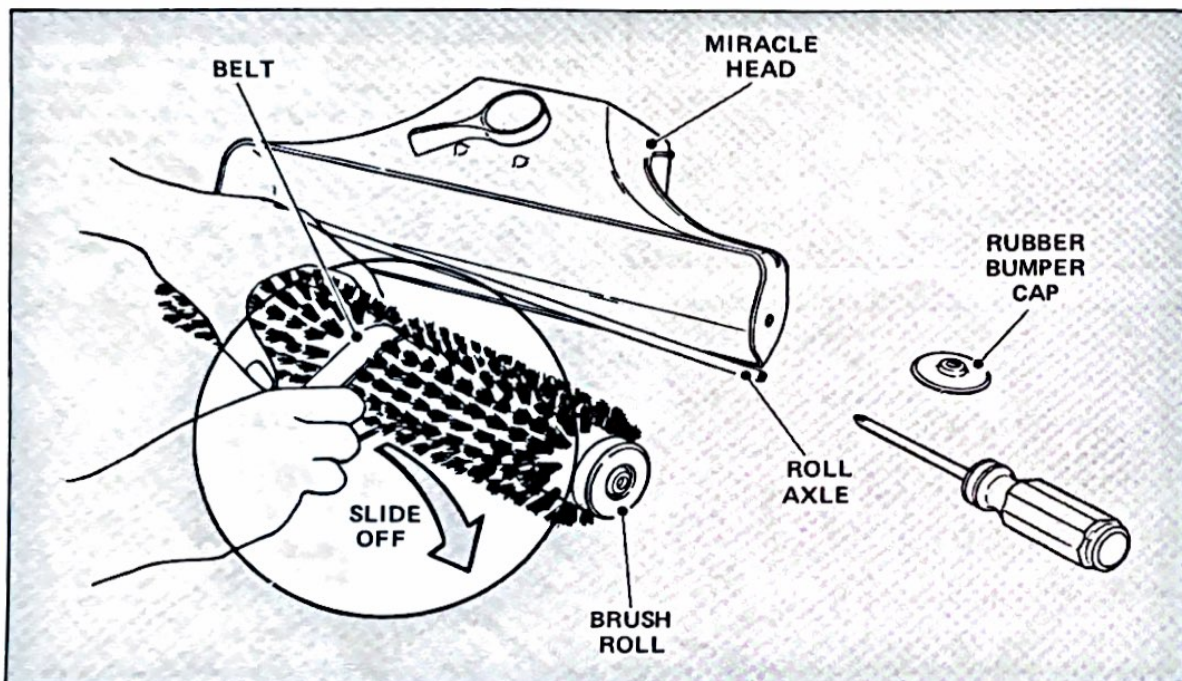
CARE OF THE MIRACLE HEAD

CLEANING

Keep wax buildup off the housing. Wipe clean with a soft cloth after each polishing job. Cut string and lint buildup away from brush. Do not wash brush, but wipe clean with a coarse cloth.

BELT REPLACEMENT

Using a small Phillips head screwdriver, loosen one bumper and remove the other one. Gently, so as not to bend the axle, pull the brush roll up and out of the housing. Slide the old belt off the roll and slide on the new belt. New belt must be at the center of the roll. Slide the roll back onto the axle and push it back into the housing. Replace the bumper and tighten both bumpers.



BE CAREFUL: The Handi-Butler is a versatile tool which will help you with many household jobs. Properly used, it is a safe tool, but it does have revolving parts and you must use care while operating it as you would with any powered hand tool.

FOR YOUR SAFETY

1. Keep work area clean and uncluttered.
2. Use clamps or vise to secure work.
3. Keep tools sharp and clean.
4. Do not force tools to do the job.

Read the following warnings carefully and observe precautions.

WARNING

1. ALWAYS WEAR SAFETY GLASSES WHEN SANDING, BUFFING, SAWING, DRILLING, OR PERFORMING OTHER POWER TOOL OPERATIONS.
2. WEAR A FACE OR DUST MASK WHEN PERFORMING DUSTY OPERATIONS.

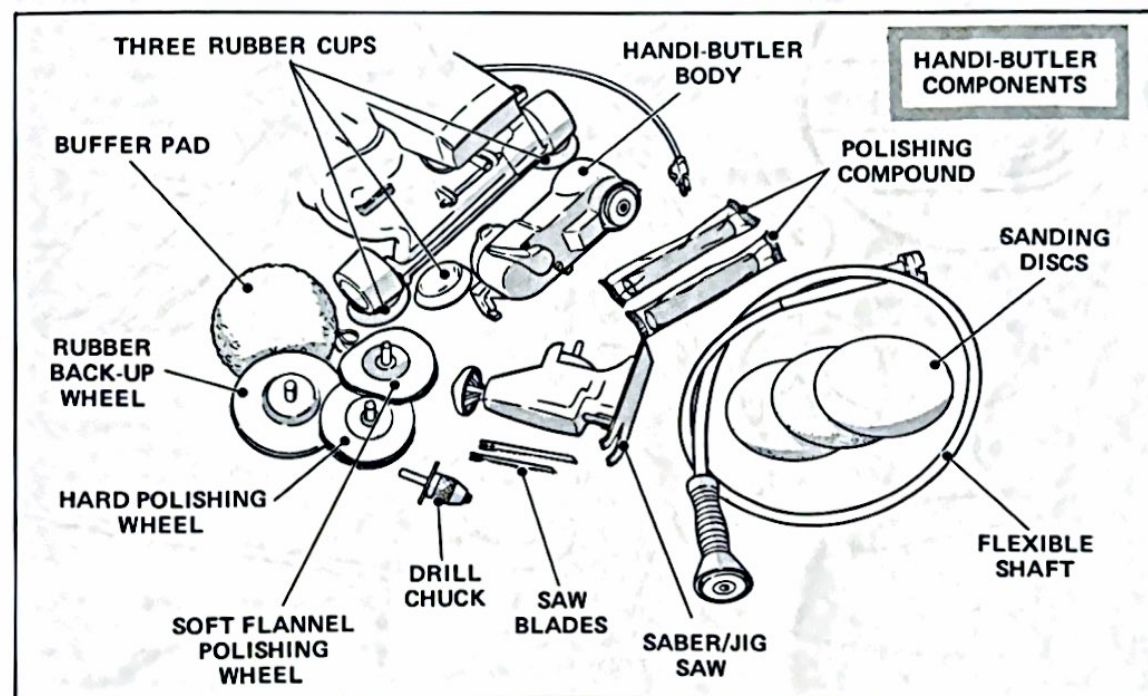
3. THE DRILL CHUCK IS DESIGNED TO BE USED ON THE END OF THE FLEXIBLE SHAFT ONLY. DO NOT MOUNT IT TO THE FRONT OF THE HANDI-BUTLER. DRILL BITS MAY BECOME LOOSE IN CHUCK.

4. KEEP FINGERS, JEWELRY, CLOTHING, AND HAIR AWAY FROM MOVING PARTS.

5. WHEN FLEXIBLE SHAFT IS ATTACHED TO THE HANDI-BUTLER, HOLD IT IN YOUR HAND AND NEVER SET IT DOWN WHILE THE MOTOR IS RUNNING.

6. BEFORE CHANGING ATTACHMENTS, ALWAYS UNPLUG POWER CORD FROM WALL OUTLET AND BE SURE MOTOR AND FAN AND ATTACHMENT HAVE COME TO A COMPLETE STOP.

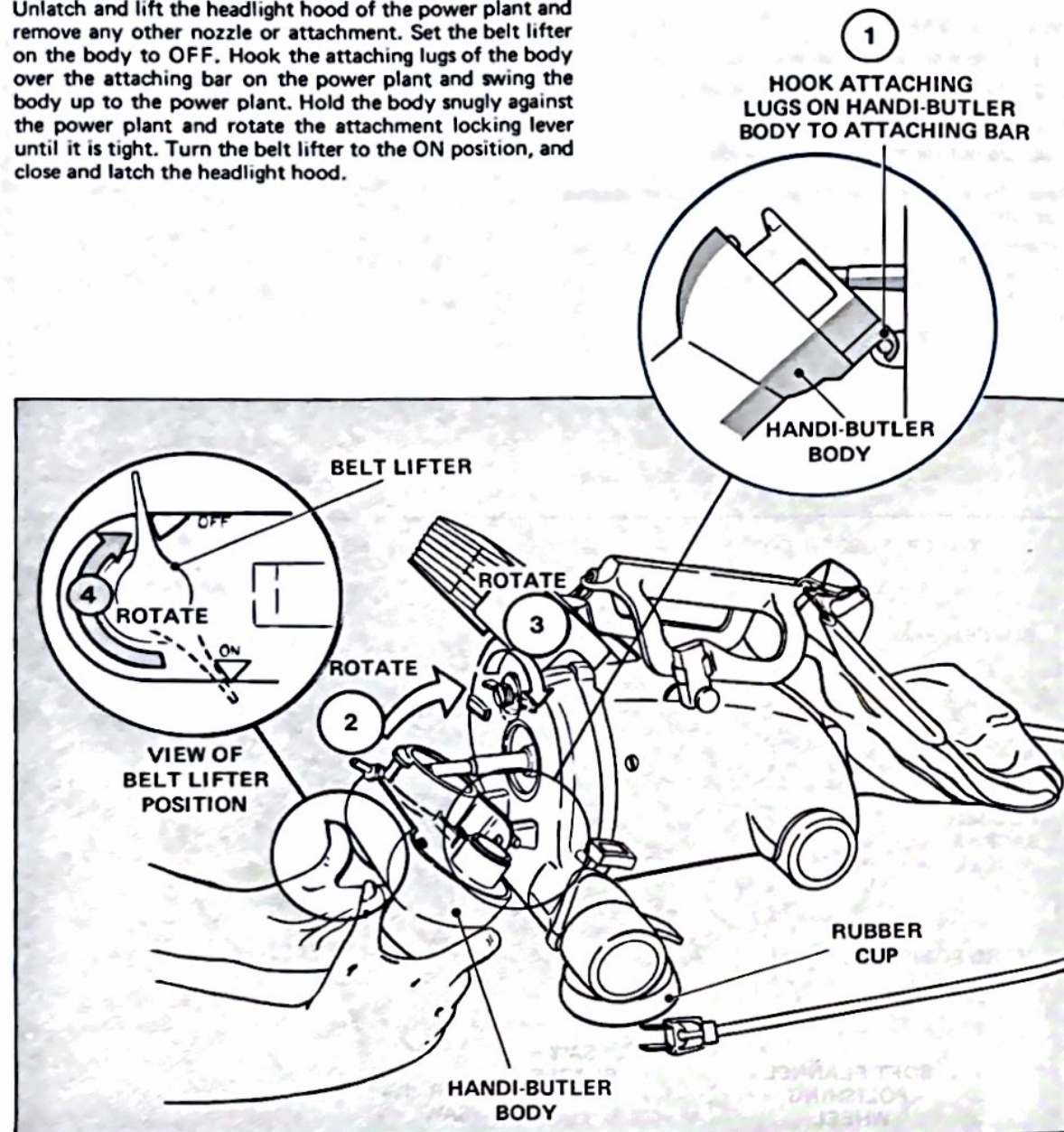
7. KEEP CHILDREN AWAY FROM MOTOR, TOOLS, AND WORK AREA.



ATTACHING THE HANDI-BUTLER BODY

The Handi-Butler body should be stored with the belt lifter in the ON position to keep tension off the belt.

Unlatch and lift the headlight hood of the power plant and remove any other nozzle or attachment. Set the belt lifter on the body to OFF. Hook the attaching lugs of the body over the attaching bar on the power plant and swing the body up to the power plant. Hold the body snugly against the power plant and rotate the attachment locking lever until it is tight. Turn the belt lifter to the ON position, and close and latch the headlight hood.



FRONT-MOUNTED TOOLS

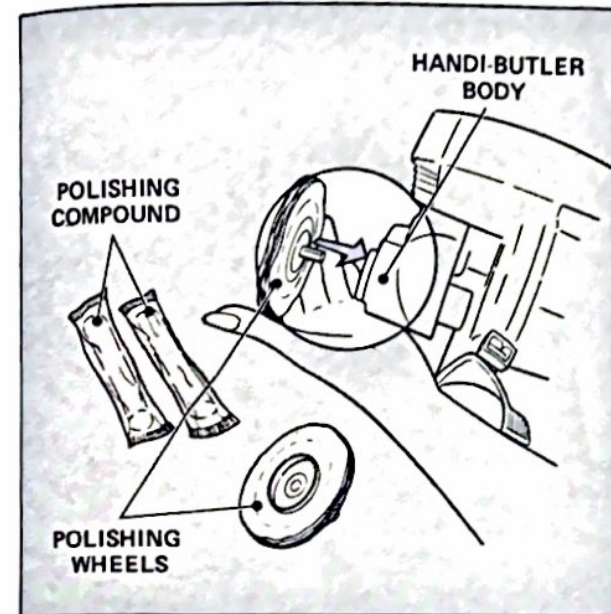
USING THE WORK WHEELS

BE CAREFUL around all rotating machinery. Always protect your eyes with safety glasses at all times when working with tools.

To use front-mounted tools (jig saw, polishing wheels, sander, and buffer), install the portable handle, put the power plant on your workbench or table, and put a rubber cup from the Handi-Butler kit under each power plant front wheel.

The mounting shafts on the rubber backup wheel and polishing wheels fit into the magnetic tool holder on the front of the Handi-Butler.

The hard polishing wheel is used with the red polishing compound to polish brass, copper, or similar materials. The softer wheel and the tan polishing compound are used on silver and finer surfaces. Use only small amounts of polishing compound and apply it by holding the stick gently against the turning polishing wheel.



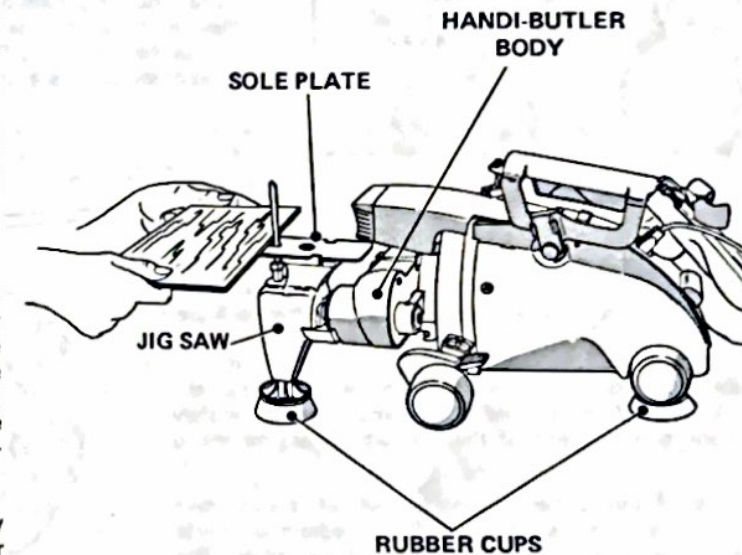
JIG SAW

When the saw is mounted on the front of the Handi-Butler, it becomes a jig saw. The sole plate of the saw is then a small jig saw table.

Place the saw in the Handi-Butler on the front of the power plant. Put a rubber cup under the saw grip and both back wheels. Using the toe touch control, lower the power plant until the saw is held firmly in the upright position.

Select a saw blade, fine for scroll work and fine cutting or coarse for work on rough wood. Loosen the saw blade mounting screw on the saw with a cabinet screwdriver and insert the blade. Make sure the blade is all the way in, then tighten the screw.

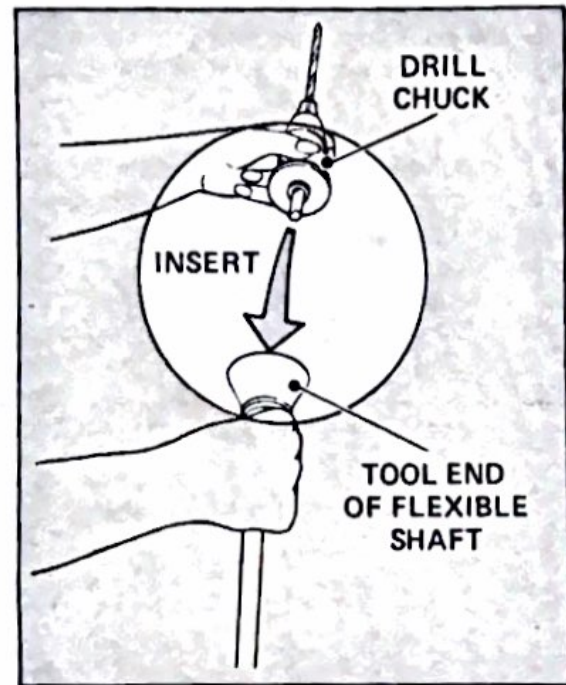
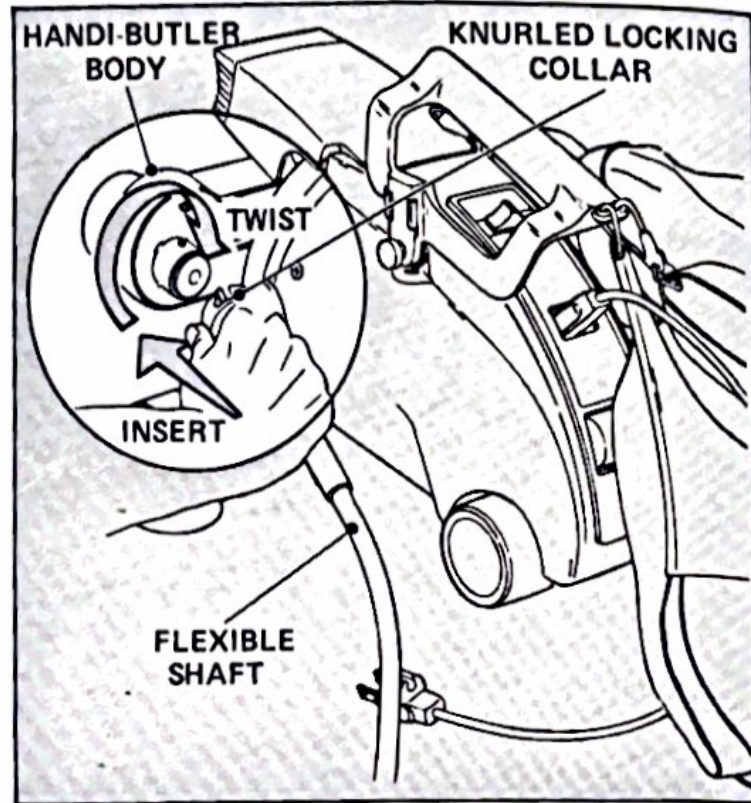
Feed the work into the saw slowly and steadily. Use the scroll blade for fine, intricate work and the coarser blade for boards.



USING THE FLEXIBLE SHAFT

One end of the flexible shaft has a fixed permanent magnet which grips tools firmly, but lets you pull them away easily. The other end has a knurled locking collar to attach it to the rear of the body.

Grasp the knurled end and insert the shaft extension into the hole in the rear of the body. Be sure the shaft fits easily into the hole. Turn it until it does, then slide the grooves in the collar over the lugs on the mounting face and twist to the right to lock the collar to the body.



DRILL CHUCK

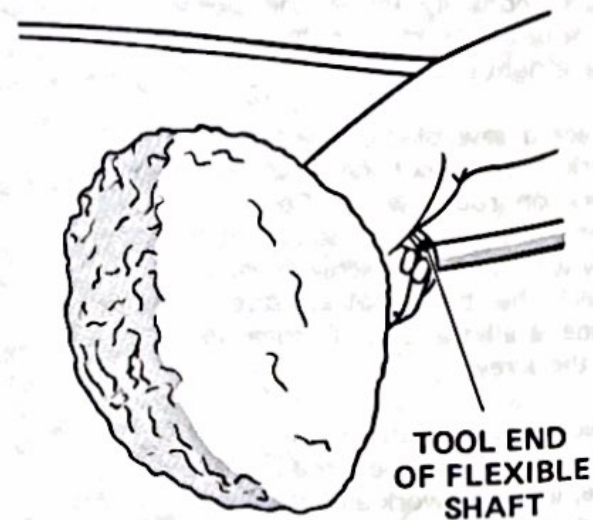
The mounting shaft on the drill chuck fits into the tool end of the shaft. The chuck will accept all 1/4-inch shaft (or smaller) drill bits. The rubber backup wheel with buffer pad or sanding discs attaches to the drill chuck only.

WORK WHEELS

The buffer is slipped over the backup wheel and tied to it with the drawstring. Be sure to tuck in the ends of the drawstring. Use the buffer on all waxed surfaces, like fine furniture and leather shoes. Clean the buffer after each use. It can be laundered in warm water and mild soap.

Polishing wheels can be mounted on the tool end of the flexible shaft. They are used in the same way as when they are front-mounted, except that the wheels are moved to the work.

To use the Handi-Butler as a sander, peel off the adhesive backing paper from a sanding disc (fine, medium, or coarse to fit the job) and stick the disc to the backup wheel. The disc will overlap the wheel a little bit so that you can sand in corners and around curves.



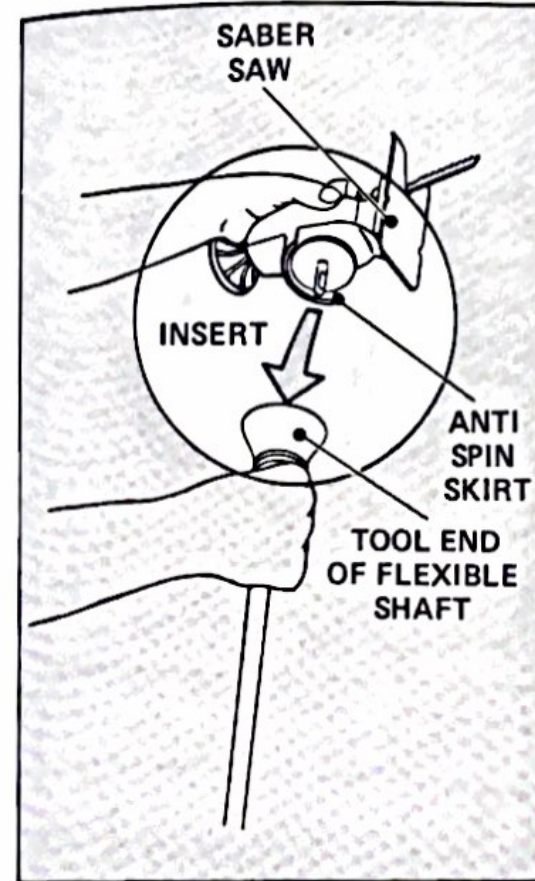
SABER SAW

IMPORTANT: Stay close to the motor start switch on the power plant. If the saw binds in the cut, stop it immediately to keep the Handi-Butler belt from slipping. Make sure the piece being cut is held down firmly. WEAR SAFETY GLASSES.

The Handi-Butler saw is a saber saw when the saw is mounted on the end of the flexible shaft. Select a saw blade, fine for scroll work and fine cutting or coarse for work on rough wood. Loosen the saw blade mounting screw on the saw with a regular flat bladed screwdriver and insert the blade. Make sure the blade is all the way in, then tighten the screw.

Insert the shaft at the back of the saw into the hole in tool end of the flexible shaft. Make sure the saw shaft fits easily into the hole. Turn the shaft until it slips in. Make sure anti spin skirt engages the grip. The saw will be held firmly by the magnet. To remove the saw from the shaft, just give it a firm pull.

Use the saber saw to cut wood or plastic up to 3/4-inch thick. The saw has a 5/8-inch stroke. Hold the grip of the saw with one hand and the flexible shaft handle with the other. Use slow steady pressure while cutting. Make sure the piece being cut is held down firmly.

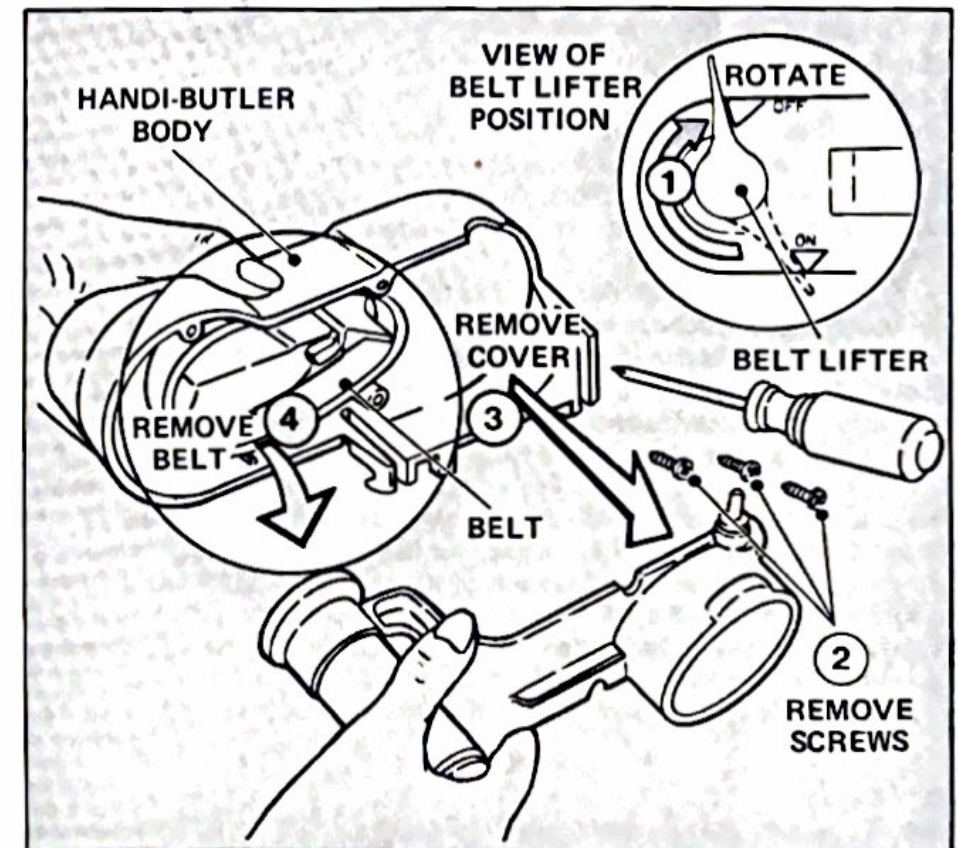


CARE AND MAINTENANCE

Keep the Handi-Butler parts clean and safe from damage. No regular maintenance is required except occasional belt replacement.

BELT REPLACEMENT

Remove three screws from the back plate with a Phillips head screwdriver. Remove the belt and replace with a new one. Hook the belt over the finger with the belt lifter in the ON position. Replace the cover and tighten screws. Check to see belt engages when the belt lifter is turned to OFF. If it does not, turn to ON and reach in with a screwdriver to hook the belt over the belt lifter inside the body. Store the unit with the belt lifter in the ON position.



ODORIFIC

Odorific is an all purpose deodorizer that neutralizes odors and provides instantaneous, economical and long lasting results. It is not a masking perfume that simply covers up unpleasant odors with a more pleasant scent. One drop of Odorific is enough to neutralize the odors in a 1,000 cubic foot area for a 24-hour period. Use sparingly because every drop is effective. Odorific will act fastest when used in a manner that will speed its evaporation, such as on a warm surface or in an air current from a window or air conditioning unit. Odorific is non-toxic and safe to use. In event of contact with eyes, flush with water. It may discolor certain plastic, rubber, or paint surfaces.

Use to neutralize odors created by cooking, pets, lavatories, garbage, paint, etc. One drop of Odorific in the Kirby Filter Bag neutralizes any odors from the Filter Bag. Apply to cotton ball and turn on Kirby upright cleaner and pick up cotton ball on which Odorific has been applied.



SCUTTLE

Scuttle is a superior all-purpose cleaner which is pleasant-smelling, economical, easy and safe to use. Just spray on Scuttle and wipe dirt and grease off windows, tile, appliances, walls, painted woodwork, chrome, stainless steel, mirrors, vinyl, plastic, porcelain — and a wide variety of other materials and items.

For tough jobs, stubborn areas, heavy built-up soil, textured washable surfaces, heel marks, etc., spray on Scuttle, let it stand for a few seconds, then lightly scrub with pre-wet soft bristle brush. Wipe with damp cloth and follow-up with a dry cloth.

Use Scuttle to boost the cleaning power of Kirby Instant Suds when renovating heavily soiled rugs or carpeting. Add one tank cap measure of Kirby Scuttle to suds solution in Rug Renovator Tank, or spray directly on spot just before shampooing. Scuttle is

non-toxic and safe to use, and gentle to hands. If sprayed in eyes, flush with water.

INSTANT SUDS

Kirby Instant Suds is especially formulated for use with the Rug Renovator and Suds-O-Gun. The combination of cleaning power, resoiling resistance, mildew preventative, and fabric brightener makes it an outstanding rug and upholstery shampoo.

A 12 ounce bottle is included with the Rug Renovator. Directions for using Instant Suds are included on the label. **PRIOR TO USING ON ANY FABRIC CHECK FOR COLOR FASTNESS BY APPLYING SMALL AMOUNT TO MATERIAL IN AREA WHERE IT WILL NOT SHOW, ALLOWING IT TO DRY AND OBSERVING THE RESULTS BEFORE PROCEEDING FURTHER.** Also check to determine water spot resistance and effect on materials such as velvet, brocades, etc.

HANDI-WAXER WAX

Handi-Waxer Wax is specially formulated for use with the Handi-Waxer. It is a slip-resistant emulsion wax safe to use on any type of linoleum, asphalt, vinyl, rubber, cork tile, or wood floors. One hundred percent of the natural wax is number one Carnauba. Apply light even coat to floors with Handi-Waxer. The wax dries with a dull appearance. Drying time depends on the thickness of the coating and atmospheric conditions. Unlike waxes with hazardous volatiles, additional drying time does not affect the final results. You can polish it with the Miracle Head hours after application.

A 1/2 pound package of Handi-Waxer Wax is included with the Kirby Handi-Waxer.

AVAILABILITY

Kirby Odorific, Scuttle, Instant Suds, and Handi-Waxer Wax are available from independent Kirby Dealers, Area Distributors, and Distributors. In addition to the 12 ounce bottles with finger-type sprayer, Scuttle is also available in 32 ounce refill bottles without the sprayer. Instant Suds is available in 12 ounce bottles, quarts, and gallons. Handi-Waxer Wax is available in packages of two 1/2 pound pouches per package.

WARNING

PLEASE KEEP THESE PRODUCTS OUT OF THE REACH OF CHILDREN. MAY CAUSE IRRITATION IF SWALLOWED OR PLACED IN EYES.

**NEW** ROOM AND CARPET HOME FRESHENER

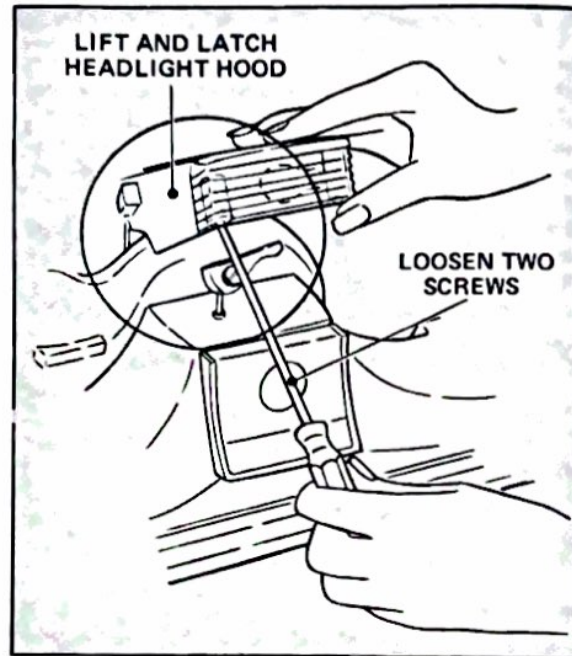
Room and Carpet Home Freshener is a new Kirby household helper product. Refreshingly lemon scented, Room and Carpet Home Freshener acts as a safe, dry, non-toxic deodorizer to remove embarrassing pet odors, cooking odors, and odors caused by dampness. It also freshens a room that is filled with smoking odor. Just sprinkle a light, even coat on your rug or carpet — it isn't necessary to cover the whole area. Let it stand for a few minutes then vacuum clean. Room and Carpet Home Freshener not only replaces offensive odors with a delightful lemon scent, it also reduces static electricity. Room and Carpet Home Freshener comes in a generous package that will allow you to treat an average 9 foot by 12 foot rug about ten times. Follow the label directions exactly for fresher rugs and rooms.

CAUTION

ALL SERVICE AND MAINTENANCE REQUIRED OTHER THAN THOSE THINGS DESCRIBED IN THIS BOOK MUST BE DONE BY QUALIFIED KIRBY AUTHORIZED SERVICE PERSONNEL USING ONLY GENUINE KIRBY REPLACEMENT PARTS.

Your Kirby TRADITION has been designed and manufactured to give you many years of normal in home usage with relatively little maintenance required.

The Kirby motor has been properly lubricated at the factory and should not need additional lubrication for several years. If additional lubrication is required, safety precautions require that any repairs calling for the removal of the motor shell must be done only by qualified Kirby authorized service personnel.



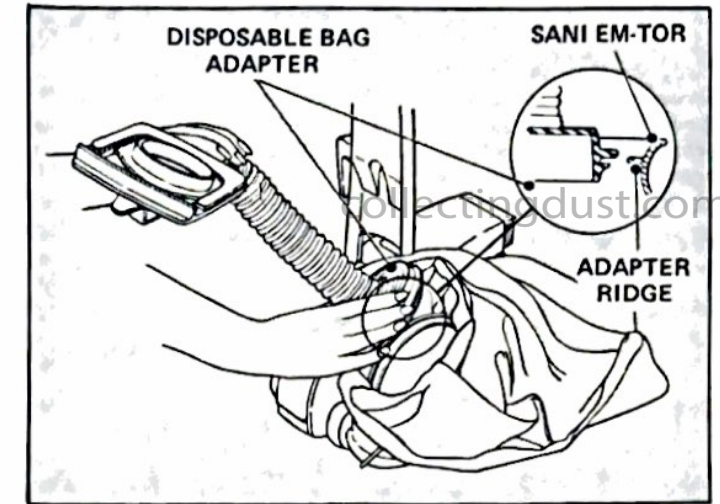
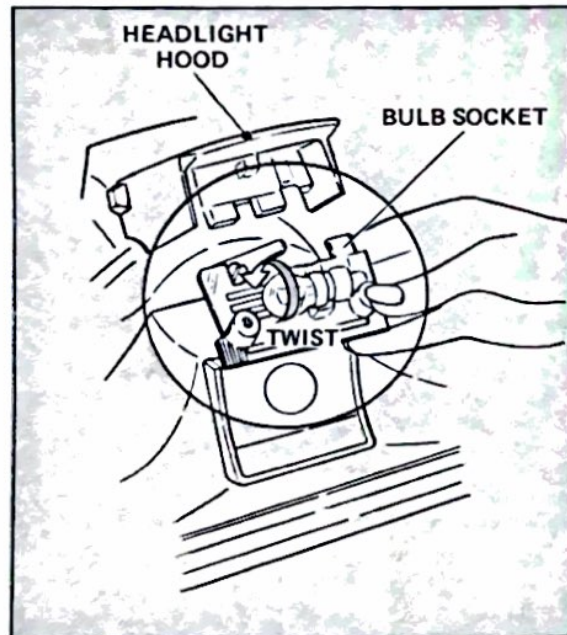
To ensure that your TRADITION is always in good, serviceable condition, it should be inspected periodically by authorized Kirby service personnel.

WARNING

BEFORE SERVICING, ALWAYS UNPLUG POWER CORD FROM WALL OUTLET AND BE SURE THE MOTOR AND FAN HAVE COME TO A COMPLETE STOP. KEEP HAIR AND LOOSE CLOTHING AWAY FROM INTAKE PORTS, NOZZLE, AND POWER PLANT.

HEADLIGHT BULB REPLACEMENT

Unlatch and raise the headlight hood on the power plant. With a Phillips head screwdriver, loosen the two screws that hold the headlight lens to the hood. Unplug the lens and socket from the wiring harness. Replace the bulb, plug in the lens and socket, and replace the screws.

**DISPOSABLE BAG ADAPTER**

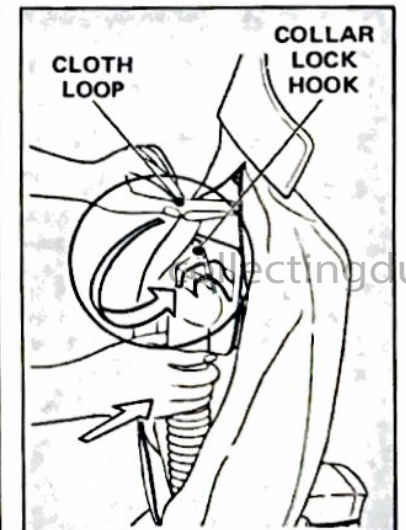
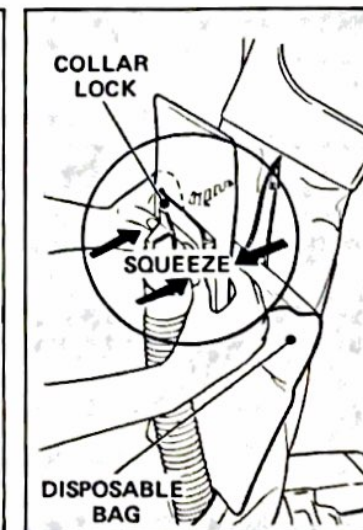
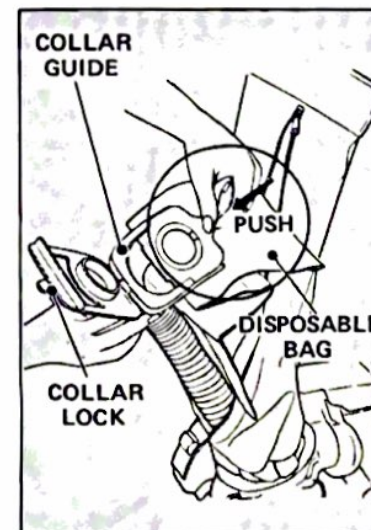
If you wish to use disposable paper bags, unhook the cloth bag from the handle. Unzip the cloth bag and lay it open as shown.

Snap the adapter into the top of the Sani Em-Tor being sure it is seated in place all the way around. If the adapter is too stiff to bend enough to easily snap into the Sani Em-Tor, soak it in warm water for a few minutes to make it more pliable.

Rehook the cloth bag top to the handle. Place a paper bag into the collar guide.

Snap the collar lock closed and hang the collar lock and hook from the cloth bag loop.

Place the paper bag, top fill hose, and collar parts into the cloth bag and zip up the bag.



SERVICE

Many service calls are unnecessary. Checking a few simple things can save a lot of cost and trouble. Whenever your Kirby TRADITION will not perform properly, make these checks first before calling authorized service personnel.

If the motor does not start when the motor ON-OFF switch is pushed:

1. Make sure the power cord is plugged into an outlet.
2. Make sure that there are no breaks in the power cord and it is fully covered by insulation. If the cord is damaged, get a new one. DO NOT REPAIR IT.
3. Make sure there is power at the outlet (check for tripped circuit breaker or power company trouble).
4. Make sure that an attachment or accessory is properly mounted on the front of the power plant and that the headlight hood is down and latched.

If the TRADITION does not pick up lint or litter on the carpet:

1. Make sure that the belt is on the brush roll and on the power plant drive pulley.
2. Make sure that the belt is not broken or worn out. Replace if necessary.
3. Check to see that suction relief valve is closed.
4. Check suction seal ring gasket on front of cleaner to see it is not missing or damaged. Do not use cleaner without gasket. (See page 3).
5. Check to see that suction seal ring gasket is not missing in the hose connector. Do not use if missing or damaged. (See page 18).

6. Check to see if rug plate on carpet nozzle is fully closed.
7. Make sure that the toe touch control is adjusted to keep the nozzle in contact with the rug.
8. Make sure the brush roll is adjusted properly and the bristles are not worn out. Replace or adjust as required.
9. Make sure bag is not full.

If the Sani Em-Tor is loose:

1. Make sure it is locked in position.
2. Make sure the rubber gasket inside the collar of the Sani Em-Tor is properly in place, dirt will blow out if it is not. Replace if the Em-Tor gasket is missing or damaged.

If the brush roll in any attachment does not turn:

1. Make sure the belt is not broken or worn out.
2. Make sure the belt is in place around the brush roll and on the power plant pulley.

If the Handi-Butler tools will not work or if they stop under light pressure:

1. Make sure the belt is not broken, stretched, or worn out.
2. Make sure the belt is in place inside the Handi-Butler body pulley and on the power plant pulley.

If the Kirby is hard to push when the rug nozzle is attached:

1. Make sure the nozzle is not set too low. Raise the toe touch control one or two notches.

A

	Page No.
Above-Floor Tools	18, 19
Adapter, Disposable Bag	47
Adjusting Knob, Spray Gun	25, 26
Air Conditioning Ducts	20
Air Intake Nozzle	2
Air Intake Valve	24
Air Outlet	3, 24, 31
Air Seal Gasket	23
Air Valve, Spray Gun	26
Anti Spin Skirt, Saber Saw	43
Attaching Bar	3, 12
Attaching Lugs	12
Attaching Shag King	10
Attaching Tools to Hose	18
Attachment Case	2, 27
Attachment Case Mounting	27
Attachment Lock	3, 5, 12, 24

B

Backup Wheel, Handi-Butler	41
Bag Guard	3
Base Boards	21
Belt	5, 13
Belt Lifter	3, 5, 7, 12, 17
Miracle Head	36
Rug Renovator	29
Belt Replacement	
Handi-Butler	43
Miracle Head	38
Rug Nozzle	13
Rug Renovator	34
Body, Handi-Butler	40
Bookcases	20
Brush	
Crevice Tool	21
Rug Renovator	32
Surface Nozzle	19
Brush Adjustment, Rug Nozzle	14
Brush Cleaning, Rug Nozzle	14
Brush Roll	
Miracle Head	38
Rug Nozzle	11, 13
Rug Renovator	34
Buckle, Portable Carrying Strap	20
Buffer Pad, Handi-Butler	39
Bumper, Miracle Head	38
Bumper, Rug Renovator	34

C

Carpet Lint	9
Ceilings	20
Changing Disposable Bag	7
Cleaning	
Ceilings	19
Deep Grooves	22
Hard Surfaces	19
Loose Rugs	19
Mattresses	17
Rug Renovator	32, 33
Stair Treads	17

collectingdust.com Page No.

Stair Treads	17
Upholstered Cushions	17
Upholstery	25
Cleaning Under Furniture	19
Cloth Filter Bag	3, 9
Cloth Loop, Filter Bag	7, 47
Collar Guide	7, 47
Collar Lock	7, 47
Collar Lock Hook	8, 47
Controls	4
Converting for Use With Pressure Attachments	23
Converting to Portable Cleaner	15
Converting to Straight Suction	11
Cord Release	4
Corners	21
Cover, Sani Em-Tor	9
Crevice Tool	2, 21
Crevice Tool Brush	2, 21
Curved Extension Tube	2, 19

D

Deep Cleaning Portable	17
Delicate Fabrics	5, 25
Disposable Bag	3, 7, 47
Adapter	3, 47
Changing	7
Collar Guide	3, 7, 47
Collar Lock and Hook	7, 8, 47
Top Fill Hose	3, 47
Doorjamb	20
Draperies	21
Drill Chuck	42
Duster Brush	2, 22
Duster-Buffer	2, 11, 19
Duster-Buffer Pad	11

E

Emptying Cloth Bag	9
--------------------	---

F

Fabric Bleeding-Spotting	25
Felt Pad, Handi-Waxer	36
Filling the Spray Gun	26
Flammable Materials	26
Flexible Hose	2, 18
Flexible Hose, for Air Pressure	24
Flexible Shaft	42
Foot Switch	4
Freshener, Room and Carpet Home	45
Furnace	20

G

Gasket	
Em-Tor	3, 23
Suction Blower Connector Inner Air Seal	24
Suction Seal Ring	3, 18, 24
Grooves, Flexible Hose End	24

IMPORTANT

THE KIRBY LIMITED WARRANTY AND THE KIRBY REBUILDING AGREEMENT DESCRIBED BELOW ARE EACH NULL AND VOID IF THE NAME PLATE OR SERIAL NUMBER OF THE KIRBY HAS BEEN DEFACED, REMOVED, OR CHANGED (OTHER THAN BY FIRE OR OTHER CASUALTY OR ACCIDENT, OR IN CONNECTION WITH THE FACTORY AUTHORIZED REBUILD) AND THE KIRBY REBUILDING AGREEMENT IS NULL AND VOID IF THE KIRBY WAS NOT PURCHASED FROM AN INDEPENDENT AUTHORIZED KIRBY DISTRIBUTOR, AREA DISTRIBUTOR, OR DEALER WHO SIGNED THE WARRANTY AND FILLED IN THE DATE AND SERIAL NUMBER.

PROTECT YOUR RIGHTS: MAKE SURE YOU ARE (1) PURCHASING FROM AN INDEPENDENT AUTHORIZED KIRBY DISTRIBUTOR, AREA DISTRIBUTOR, OR DEALER, AND (2) THE WARRANTY IS FILLED IN AND SIGNED, AND (3) THE ORIGINAL NAME PLATE AND SERIAL NUMBER ARE INTACT.

REBUILDING AGREEMENT

GENERAL REBUILDING

Subject to the conditions and exceptions stated below, The Kirby Company Division of The Scott & Fetzer Company ("Company") hereby agrees with the original purchaser (other than for purposes of resale) of a new Kirby to entirely rebuild and re-condition the Kirby, as often as may be required, provided it is still owned by and in the possession of the original purchaser, and provided it is returned, transportation prepaid, to the Company's factory in Cleveland, Ohio 44102, subject to the following:

1. The Company, in rebuilding and re-conditioning the machine for the original purchaser, will make every effort to keep the cost to such purchaser for this service as low as possible and the Company will in no case charge such purchaser more than \$58.50 for any one rebuild.
2. The Company's maximum charge of \$68.50 shall include all labor and cost of all parts (except for broken or missing parts) necessary to put the Kirby in A-1 condition.
3. All transportation charges, and replacement costs of broken parts or missing parts, shall be paid for by the purchaser.

FIRE REPLACEMENT

In the event that the Kirby, while owned by and in the possession of the original purchaser, should be damaged or destroyed by fire, on the premises of such purchaser, the Company will repair or rebuild the Kirby (in such purchaser and return it in A-1 condition) provided that such purchaser sends \$58.50 and the fire damaged remains, transportation prepaid, to the Company's factory in Cleveland, Ohio 44102 within ninety (90) days after the date of the damaging fire. If the cost of labor and parts necessary to repair or rebuild the Kirby should be less than \$68.50, the difference between such cost and \$58.50 shall be returned to such purchaser by the Company.

If, while owned by and in the possession of the original purchaser, the Kirby Miracle Head, Handi-Butler, Flexible Shaft, Miracle Water, Rug Renovator, or cleaning tools are damaged or destroyed by fire, on the premises of such purchaser, the Company will replace any such item, provided that such purchaser sends the appropriate amount indicated below and the fire damaged remains, transportation prepaid, to the Company's factory in Cleveland, Ohio 44102 within ninety (90) days after the date of the damaging fire: the Kirby Miracle Head, \$8.00, the Kirby Handi-Butler and Flexible Shaft, \$21.50, the Kirby Handi-Water, \$6.00, the Kirby Rug Renovator, \$18.00, and cleaning tools, \$12.00.

In the event that the Kirby, Miracle Head, Handi-Butler, Flexible Shaft, Miracle Water, Rug Renovator, or cleaning tools, while owned by and in the possession of the original purchaser, shall be completely and wholly destroyed by fire, on the premises of such purchaser, so that no damaged remains can be returned, an affidavit, sworn to by the original purchaser before a notary public, affirming such complete destruction, must be furnished within ninety (90) days after the date of the damaging fire in lieu of damaged remains, and the destroyed item will be replaced under the terms set forth above.

All transportation charges shall be paid by the purchaser.

THE KIRBY REBUILDING AGREEMENT IS NULL AND VOID IF (1) THE KIRBY WAS NOT PURCHASED FROM AN INDEPENDENT AUTHORIZED KIRBY DISTRIBUTOR, AREA DISTRIBUTOR, OR DEALER WHO SIGNED THE WARRANTY AND FILLED IN THE DATE AND SERIAL NUMBER, OR (2) THE NAME PLATE OR SERIAL NUMBER OF THE KIRBY HAS BEEN DEFACED, REMOVED, OR CHANGED (OTHER THAN BY FIRE OR OTHER CASUALTY OR ACCIDENT, OR IN CONNECTION WITH FACTORY AUTHORIZED REBUILD).

THE KIRBY COMPANY
DIVISION OF THE SCOTT & FETZER COMPANY
CLEVELAND, OHIO
Manufacturers of the Kirby Tradition
ADRIAN E. BUDLONG, Jr.
President and Chief Executive Officer
Service calls, including those during the warranty period, will be at the expense of the owner.

PLEASE COMPLETE THE FOLLOWING
The above warranty covers the Kirby Tradition

Serial No. F 398-836
Date of Delivery 10-9-79
Authorized Dealer Signature Mormie Sue Carpenter

LIMITED WARRANTY

Subject to the conditions and exceptions stated below, The Kirby Company Division of The Scott & Fetzer Company ("Company") warrants to the original purchaser (other than for purposes of resale) that each Kirby product shall be free from defects in material and workmanship, under normal use and service, as follows: (a) for two (2) years from the date of purchase by the original purchaser when used for personal, family, or household purposes ("consumer purposes"); (b) for one (1) year from the date of purchase by the original purchaser when used for commercial, professional, rental, institutional, etc., purposes ("commercial purposes"); (c) for one (1) year from the date of any factory repair or rebuild provided to the original purchaser under the terms and conditions of the Kirby Rebuilding Agreement set forth above. At any time during the applicable warranty period, the Company will furnish for the Kirby product a replacement part for any part returned to and found by the Company to be defective. Such replacement part will be furnished through an authorized Kirby Distributor or F.A.B. Company's factory, at the Company's election. The purchaser must return the Kirby product or part claimed to be defective to any authorized Kirby Distributor or to The Kirby Company, located at 1920 West 114th Street, Cleveland, Ohio 44102. All transportation expenses must be borne by the purchaser. This Limited Warranty does not apply to belts, light bulbs or other expendables, such as, buffing pads, compounds, etc., charges for labor or service calls, damage caused by accident, misuse, negligence, abuse, or to any Kirby product which has been repaired so as in the judgment of the Company to effect its stability or reliability, or in which parts not approved by the Company shall have been used. In approving the Kirby for double insulation, UNDERWRITERS' LABORATORIES REQUIRES THAT ONLY IDENTICAL PARTS SHOULD BE USED IN SERVICING THE SEALED MOTOR UNIT.

The foregoing provisions state the exclusive remedy for any breach of warranty or any other claim in respect of any Kirby product. THERE IS NO OTHER EXPRESS WARRANTY, IMPLIED WARRANTIES, INCLUDING THOSE OF MERCHANTABILITY AND FITNESS FOR A PARTICULAR PURPOSE, ARE LIMITED TO TWO (2) YEARS FROM THE DATE OF PURCHASE BY THE ORIGINAL PURCHASER, IN THE CASE OF KIRBY PRODUCTS USED FOR CONSUMER PURPOSES, TO ONE (1) YEAR FROM THE DATE OF ANY FACTORY REPAIR OR REBUILD PROVIDED TO THE ORIGINAL PURCHASER UNDER THE TERMS AND CONDITIONS OF THE KIRBY REBUILD AGREEMENT, AND TO ONE (1) YEAR FROM THE DATE OF PURCHASE BY THE ORIGINAL PURCHASER, IN THE CASE OF KIRBY PRODUCTS USED FOR COMMERCIAL PURPOSES, AND ANY IMPLIED WARRANTY OF FITNESS FOR COMMERCIAL USE IS HEREBY DISCLAIMED. THIS IS THE EXCLUSIVE REMEDY, AND ANY LIABILITY FOR INDIRECT OR CONSEQUENTIAL DAMAGES OR FOR ANY INCIDENTAL EXPENSES, IS EXCLUDED. Some states do not allow limitations on how long an implied warranty lasts, or do not allow the exclusion or limitation of incidental or consequential damages; so the above limitation may not apply to you.

The Company neither assumes, nor authorizes any other person to assume for it, any additional liability in connection with the sale of its products.

THIS LIMITED WARRANTY IS NULL AND VOID IF THE NAME PLATE OR SERIAL NUMBER OF THE KIRBY HAS BEEN DEFACED, REMOVED, OR CHANGED (OTHER THAN BY FIRE OR OTHER CASUALTY OR ACCIDENT, OR IN CONNECTION WITH FACTORY AUTHORIZED REBUILD).

This Limited Warranty gives you specific legal rights, and you may also have other rights which vary from state to state.

**QUALITY
RELIABILITY
PERFORMANCE**



TraditionTM

**KEEP YOUR KIRBY OPERATING
AT PEAK EFFICIENCY AND
PROTECT YOUR WARRANTY
INSIST ON
GENUINE Kirby PARTS
REPLACEMENT PARTS AND SERVICE
ARE AVAILABLE THRU YOUR LOCAL
AUTHORIZED KIRBY DISTRIBUTOR**

— OR —
THE KIRBY CO.
Division of The Scott & Fetzer Co.
1920 W. 114th St.
Cleveland, Ohio 44102

IMPORTANT CONSUMER NOTICE

The Kirby Company has a vital interest in seeing that proper sales techniques are used in the demonstration and sale of its products. Kirby salespeople are required to utilize ethical sales techniques. If you have any complaint, complete this postage-paid reply form and mail it within thirty (30) days of your purchase. It is not necessary to return this reply form in order to validate your Kirby limited warranty.

PLEASE PRINT CLEARLY:

YOUR NAME _____ (CITY) _____ (STATE) _____ (ZIP) _____

YOUR ADDRESS _____ (STREET) _____ (CITY) _____ (STATE) _____ (ZIP) _____

YOUR TELEPHONE NUMBER _____ TODAY'S DATE _____

SALESPERSON'S NAME _____

DISTRIBUTOR'S NAME _____

DISTRIBUTOR'S ADDRESS _____ (CITY) _____ (STATE) _____ (ZIP) _____

KIRBY SERIAL NUMBER _____ DATE OF PURCHASE _____ (CITY) _____ (STATE) _____ (ZIP) _____

1. A salesperson must inform customers at the outset of the first in-home contact that the purpose of the visit is to interest the customer in buying Kirby products, and he must give the customer a business card.
2. At no time should a salesperson tell customers or prospective customers that they have been "specially selected," or that he is conducting a survey or quiz.
3. A salesperson may not misrepresent the amount of time needed for the sales presentation.
4. If a gift or service was promised it must be provided as promised.
5. A salesperson must state on the purchaser's contract all accessories and attachments included in the purchase price.
6. A salesperson must deliver to the purchaser a completed, signed and dated copy of the sales contract and a warranty book.
7. A salesperson may not misrepresent the Kirby limited warranty or the Kirby factory rebuild service including the costs the purchaser might bear under each.
8. If a salesperson promises to buy back any articles, that promise must be put in writing and left with the customer.
9. A salesperson must orally inform the customer of his three-day right to cancel an in-home sale without penalty or charge.
10. A salesperson may not assist the customer in answering this form, and he may not be present in the home when the customer fills out the reply form.

If you have any complaint, please indicate below: _____

CUT ALONG PERFORATION

